



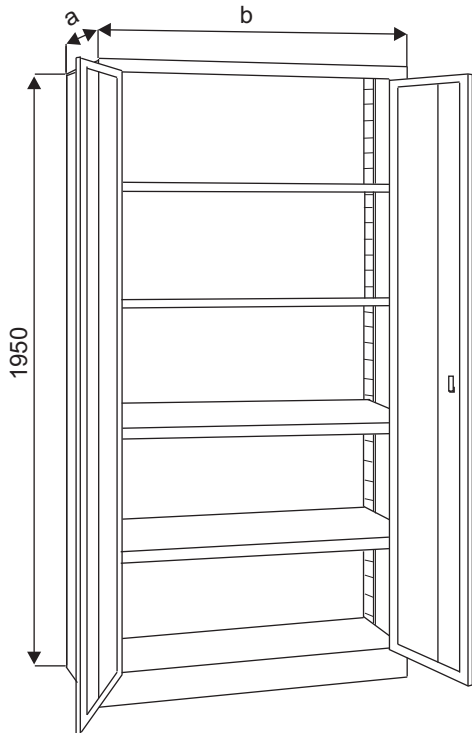
MEBLOMOR



Wardrobes *cupboards, cabinets ...*

Marine Equipment Factory MEBLOMOR S.A. 64-700 Czarnków, ul. Kościuszki 75
phone +48 67 255 2851 info@meblomor.pl www.meblomor.eu

OFFICE CUPBOARDS



N19/03.191

size		mass kg
a	b	
400	600	40
400	1000	61
400	1200	71
500	600	49
500	1000	68
500	1200	79

File cupboard made of steel sheet, painted with baking enamel. This cupboard consists of 4 adjustable shelves (adjustment every 43 mm).

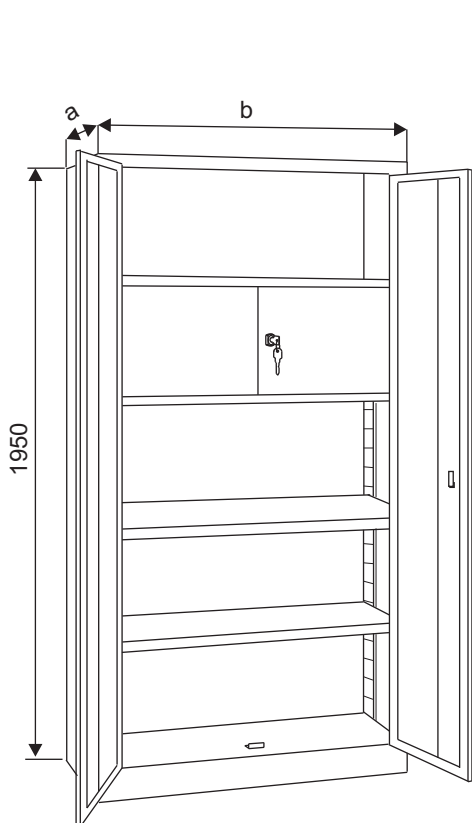
Doors locked with 3-point lock (middle, top, bottom locked with one lock).

In your order please define:

Name, size, door colour (acc. to RAL system), body colour and catalogue number.

Description example:

Cupboard 400x1000-RAL 6010/9001, acc. to N19/03.191



N19/03.199

size		mass kg
a	b	
400	600	43
400	1000	63
400	1200	72
500	600	51
500	1000	70
500	1200	81

File cupboard made of steel sheet, painted with baking enamel. This cupboard consists of 2 adjustable shelves (adjustment every 43 mm) and lockable locker.

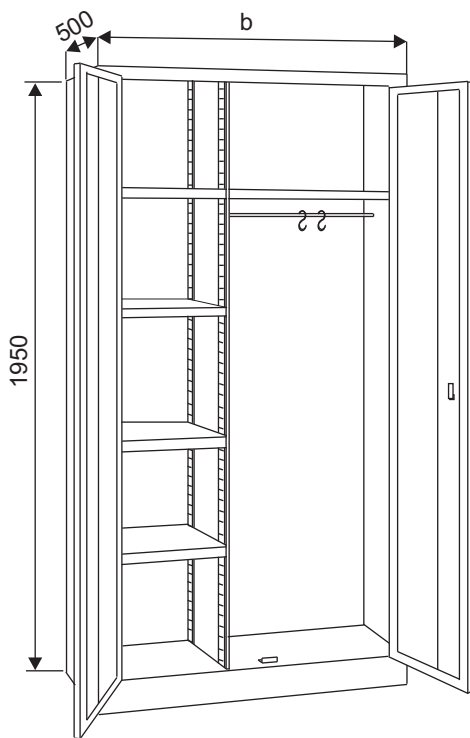
Doors locked with 3-point lock (middle, top, bottom locked with one lock).

In your order please define:

Name, size, door colour (acc. to RAL system), body colour and catalogue number.

Description example:

Cupboard 400x1000-RAL 6010/9001, acc. to N19/03.199



N19/03.196

size	mass
b	kg
1000	67
1200	77

Steel cupboard/wardrobe made of sheets, painted with baking enamel. This cupboard provides a useful combination of shelves and garment storage.

One side with four adjustable shelves and the other side with a top single shelf and a garment rail.

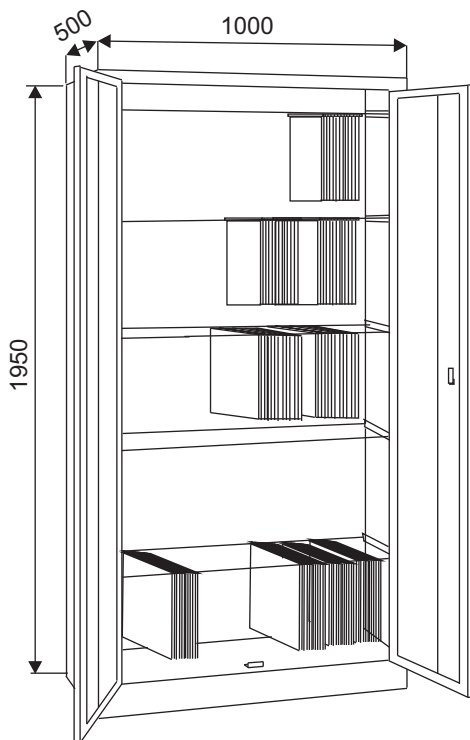
This gives the facility for storage and garment hanging at the same time. Doors locked with 3-point lock (middle, top, bottom locked with one lock).

In your order please define:

Name, size, door colour (acc. to RAL system), body colour and catalogue number.

description example:

Cupboard 1000-RAL 6010/9001, acc. to N19/03.196



N19/03.216

File cupboard made of steel sheets, painted with baking enamel. This cupboard consist of 5 width adjustable shelves for hanging card files.

Doors locked with 3-point lock (middle, top, buttom locked with one lock).

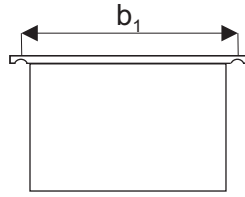
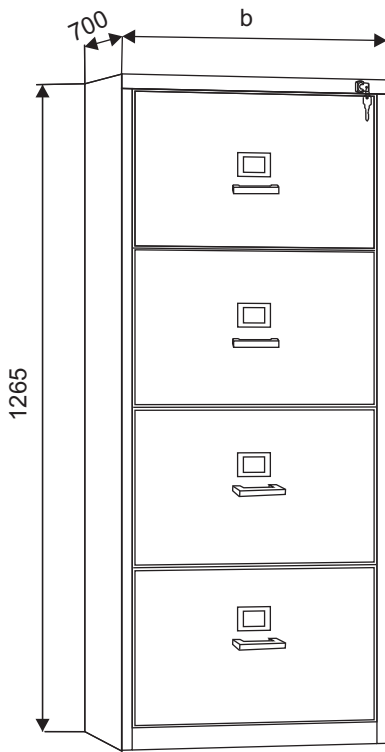
In your order please define:

Name, door colour (acc. to RAL system), body colour and catalogue number.

Description example:

Cupboard RAL 6010/9001, acc. to N19/03.216

CABINETS FOR CARD FILES

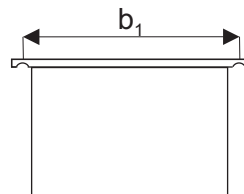
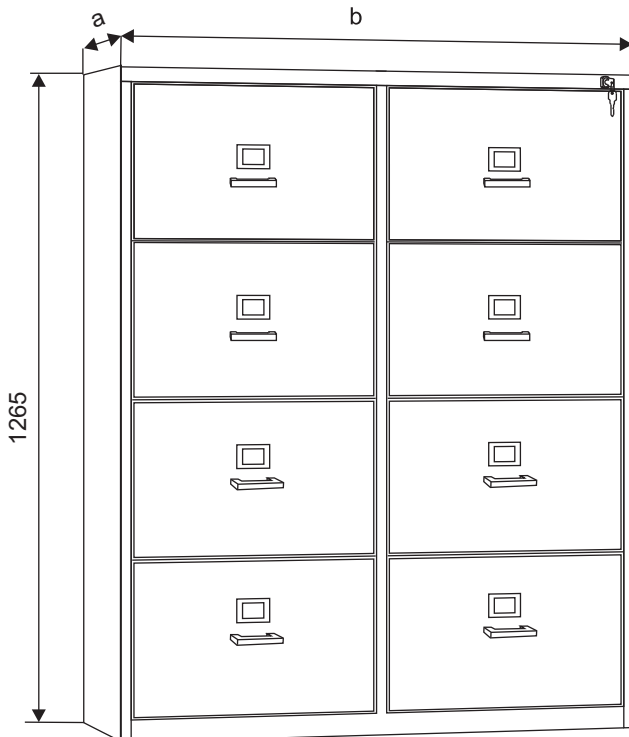


size b	b ₁	mass kg
390	325	62
450	385	66

Cabinet for cards files is made of steel sheets, painted with baking enamel.
 This cabinet consist of 4 full extension drawers, lockable with central locking system.
 Each drawer provided with label frames on the front.
 Cabinet for card files are produced in two types:
 Type 1 - drawers, lockable with central locking system
 Type 2 - drawers without locking
 In your order please define:
 Name, type, size, drawer colour (acc. to RAL system),
 body colour and catalogue number.
 Description example:

Cabinet 1-390-RAL 6010/9001, acc. to N19/03.360

N19/03.360

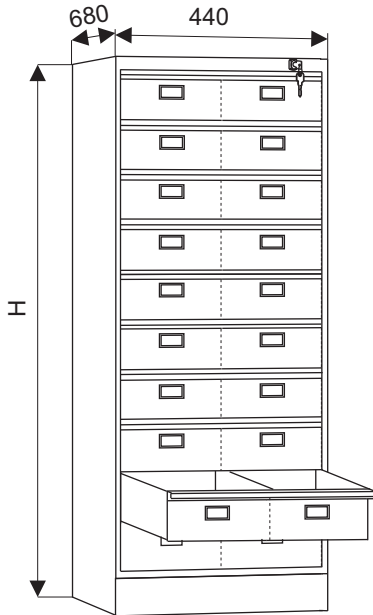


a	b	b ₁
600	882	385
600	762	325
700	882	385
700	762	325

Double cabinet for card files is made of steel sheets, painted with baking enamel.
 This cabinet consists of 8 full extension drawers, lockable with central locking system.
 Each drawer provided with label frames on the front.
 Cabinet for card files are produced in two types:
 Type 1 - drawers, lockable with central locking system
 Type 2 - drawers without locking
 In your order please define:
 Name, type, size, drawer colour (acc. to RAL system),
 body colour and catalogue number.
 Description example:

Cabinet 1-600x882-RAL 6010/9001, acc. to N19/03.0774

N19/05.0774



N19/05.0690

Cabinet for card files is made of steel sheets, painted with baking enamel.

This cabinet has from 5 to 12 full extension drawers.

Each drawer is divided into 2 compartments.

Each compartment provided with label frames on its front.

Cabinet for card files are produced in two types:

Type 1 - drawers, lockable with central locking system

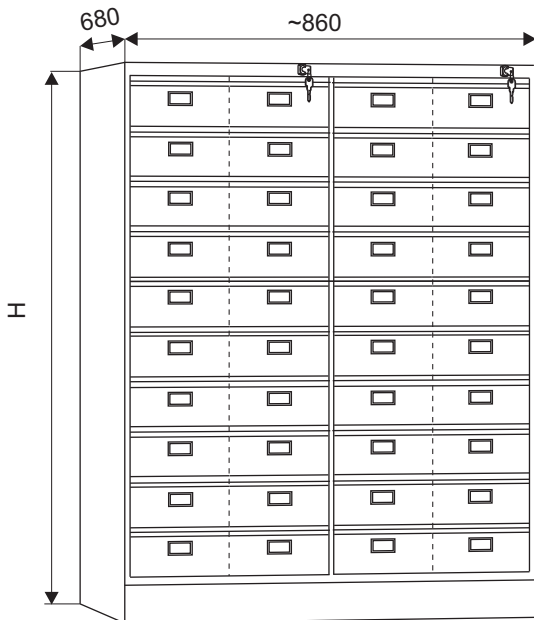
Type 2 - drawers without locking

In your order please define:

Name, type, number of drawers, drawer colour (acc. to RAL system), body colour and catalogue number.

Description example:

Cabinet 1-9-RAL 6010/9001, acc. to N19/05.0690



N19/05.0691

Cabinet for card files is made of steel sheets, painted with baking enamel.

This cabinet has from 10 to 24 full extension drawers.

Each drawer is divided into 2 compartments.

Each compartment provided with label frames on its front.

Cabinet for card files are produced in two types:

Type 1 - drawers, lockable with central locking system

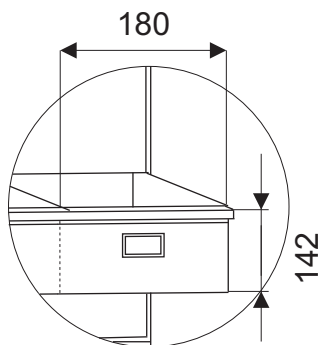
Type 2 - drawers without locking

In your order please define:

Name, type, number of drawers, drawer colour (acc. to RAL system), body colour and catalogue number.

Description example:

Cabinet 1-18-RAL 6010/9001, acc. to N19/05.0691

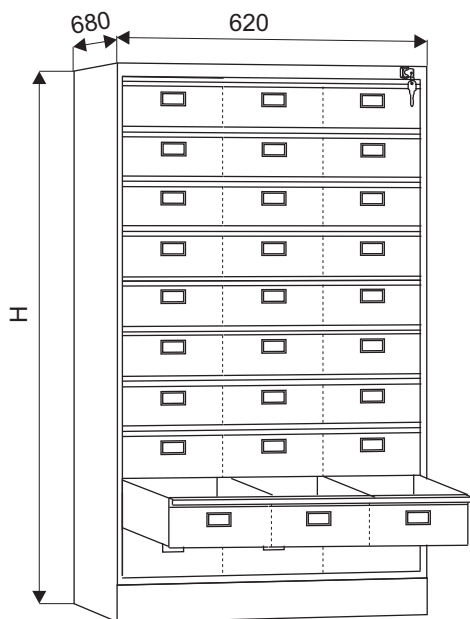


H	drawers qty.
903	5 drawers
1048	6 drawers
1193	7 drawers
1338	8 drawers
1483	9 drawers
1628	10 drawers
1773	11 drawers
1918	12 drawers

cabinet N19/05.0690

H	drawers qty.
903	10 drawers
1048	12 drawers
1193	14 drawers
1338	16 drawers
1483	18 drawers
1628	20 drawers
1773	22 drawers
1918	24 drawers

cabinet N19/05.0691



N19/05.0688

Cabinet for card files is made of steel sheets, painted with baking enamel.

This cabinet has from 5 to 12 full extension drawers.

Each drawer is divided into 3 compartments.

Each compartment provided with label frames on its front.

Cabinet for card files are produced in two types:

Type 1 - drawers, lockable with central locking system

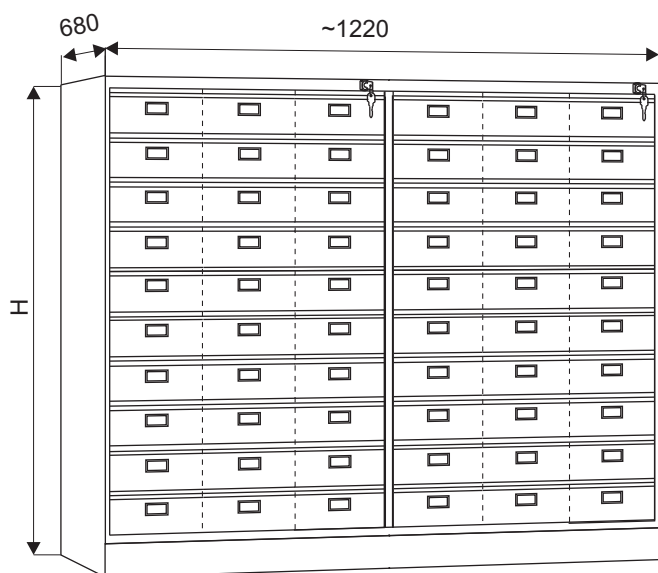
Type 2 - drawers without locking

In your order please define:

Name, type, number of drawers, drawer colour (acc. to RAL system), body colour and catalogue number.

Description example:

Cabinet 1-9-RAL 6010/9001, acc. to N19/05.0688



N19/05.0689

Cabinet for card files is made of steel sheets, painted with baking enamel.

This cabinet has from 10 to 24 full extension drawers.

Each drawer is divided into 3 compartments.

Each compartment provided with label frames on its front.

Cabinet for card files are produced in two types:

Type 1 - drawers, lockable with central locking system

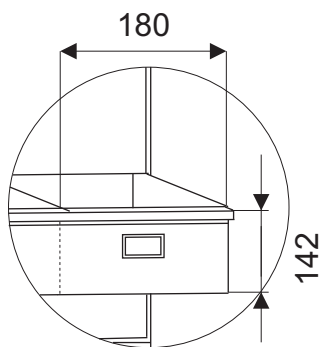
Type 2 - drawers without locking

In your order please define:

Name, type, number of drawers, drawer colour (acc. to RAL system), body colour and catalogue number.

Description example:

Cabinet 1-18-RAL 6010/9001, acc. to N19/05.0689



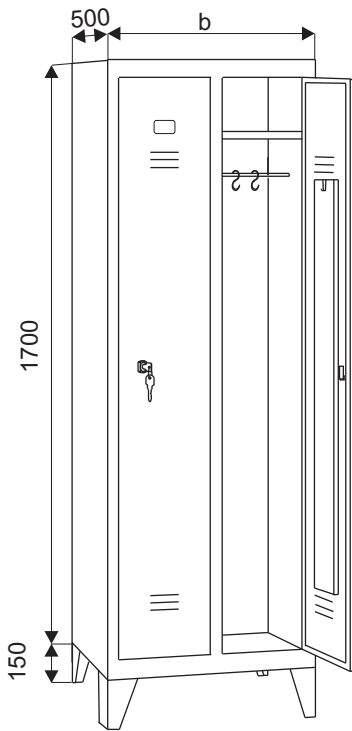
H	drawers qty.
903	5 drawers
1048	6 drawers
1193	7 drawers
1338	8 drawers
1483	9 drawers
1628	10 drawers
1773	11 drawers
1918	12 drawers

cabinet N19/05.0688

H	drawers qty.
903	10 drawers
1048	12 drawers
1193	14 drawers
1338	16 drawers
1483	18 drawers
1628	20 drawers
1773	22 drawers
1918	24 drawers

cabinet N19/05.0689

WARDROBES FOR CHANGING ROOMS AND CLOAKROOMS



N19/03.189

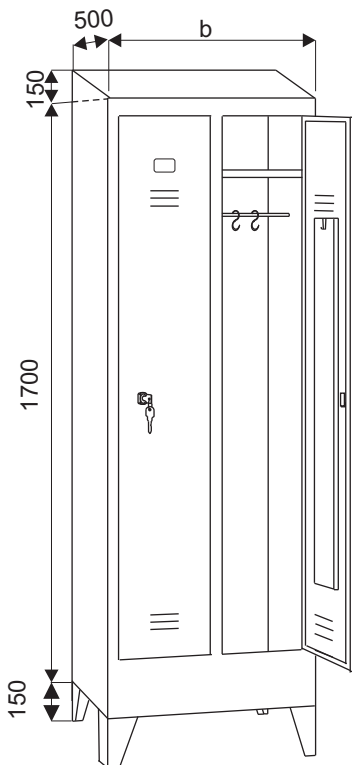
Wardrobe made of steel, painted with baking enamel. Each compartment of the wardrobe is equipped with hanging rail with fixed shelf above and hanger for towel placed on the inner side of door. Doors lockable with cam lock as standard, including two keys. In your order please define:
Name, variety, type, size of the compartment, door colour(acc.to RAL system), body colour and catalogue number.
Description example:

Wardrobe A-2-300-RAL 6010/9001, acc.to N19/03.189

Wardrobes of this series are produced also with skew top acc. to N19/03.195

compartment width b_1	type	type			
		1	2	3	4
$b_1=300$	b	315	604	894	1183
	mass/kg	26	40	54	68
$b_1=350$	b	365	704	1044	1383
	mass/kg	27	42	57	72
$b_1=400$	b	415	804	1194	—
	mass/kg	28	44	60	—

varieties:
A - base on the feet (as shown)
B - base on the socle
C - without base, adapted for placing on the benches acc. to N19/03.202

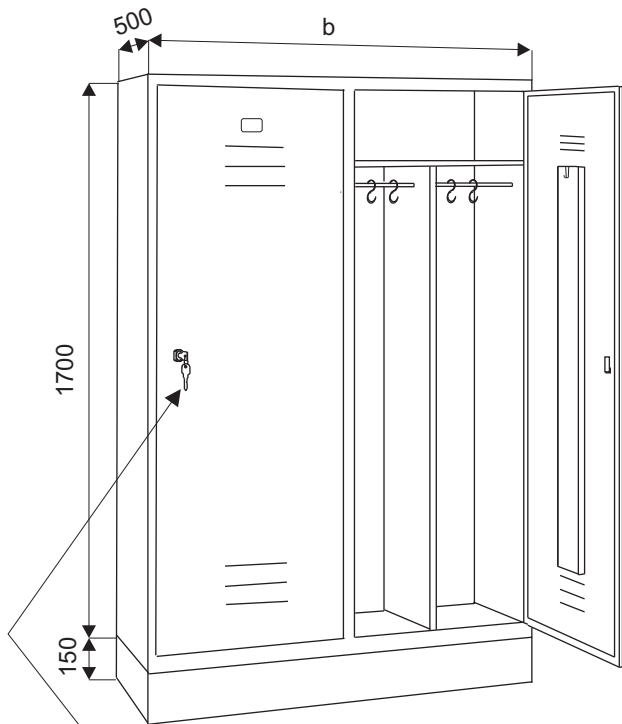


N19/03.200

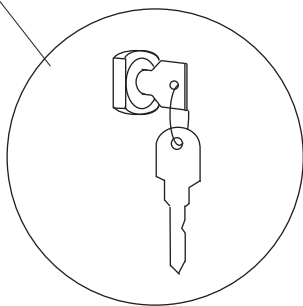
Steel wardrobe with skew top, made of steel sheets, painted with baking enamel. Each compartment of the wardrobe is equipped with hanging rail with fixed shelf above and hanger for towel placed on the inner side of door. This wardrobe has a short doors to enable placing the bench acc. to N19/03.203 at the wardrobe. Wardrobes available in variety A and B. Width of the compartment (b_1) as for wardrobe N19/03.189. Doors lockable with cam as standard, including two keys. In your order please define:
Name, variety, type, size of the compartment, door colour (acc. to RAL system), body colour and catalogue number.
Description example:

Wardrobe A-3-300-RAL 6010/9001, acc. to N19/03.200

Wardrobes of this series are produced also with straight top acc. to N19/03.201, in varieties A and B.



N19/03.193



Steel wardrobe made of steel sheets, painted with baking enamel.

Each compartment of the wardrobe is equipped with hanging rails with one fixed shelf above and hanger for towel placed on the inner side of door.

Each compartment is divided in two parts: for clean and dirty clothes.

Doors lockable with cam lock as standard, including two keys.

In your order please define:

Name, variety, type, size of the compartment, door colour(acc.to RAL system), body colour and catalogue number.

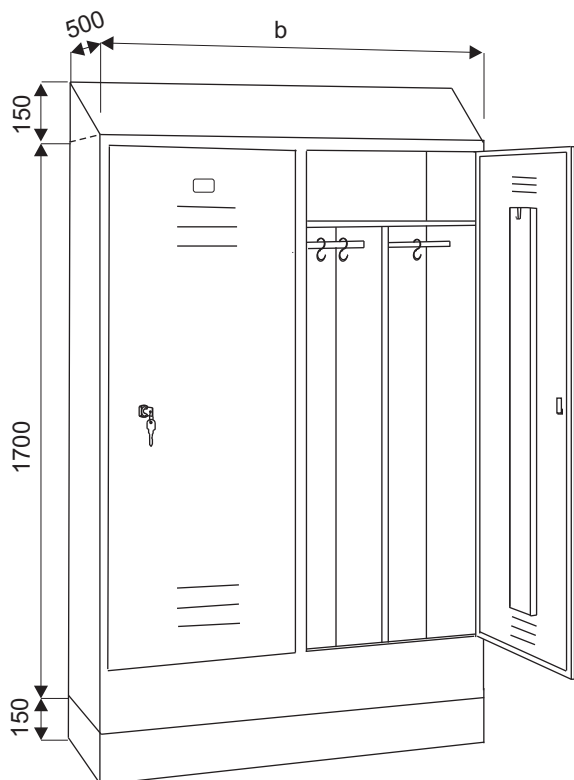
Description example:

Wardrobe B-2-300-RAL 6010/9001, acc.to N19/03.193

Wardrobes of this series are produced also with skew top acc. to N19/03.204

compartment width b_1	type		1	2
	b	mass/kg		
$b_1=200$	b		404	783
	mass/kg		33	60
$b_1=300$	b		604	1183
	mass/kg		40	68

varieties:
A - base on the feet
B - base on the socle (as shown)
C - without base, adapted for placing on the benches acc. to N19/03.202



N19/03.194

Steel wardrobe with skew top made of steel sheets, painted with baking enamel.

Each compartment of the wardrobe is equipped with hanging rails with one fixed shelf above and hanger for towel placed on the inner side of door.

This wardrobe has a short doors to enable placing the bench acc. to N19/03.203 at the wardrobe.

Each compartment is divided in two parts: for clean and dirty clothes.

Wardrobes available in variety A and B.

Width of the compartment (b_1) as for wardrobe N19/03.193

Doors lockable with cam as standard, including two keys.

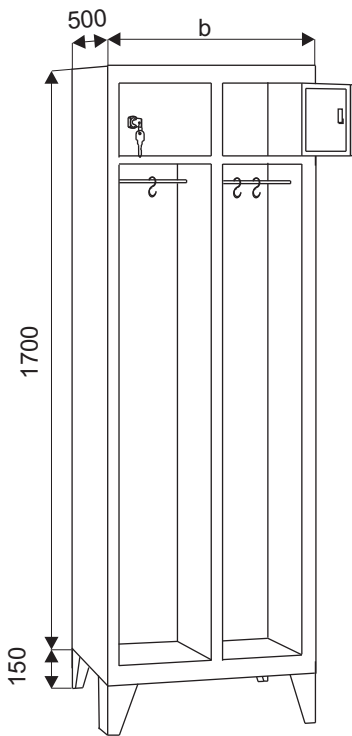
In your order please define:

Name, variety, type, size of the compartment, door colour (acc. to RAL system), body colour and catalogue number.

Description example:

Wardrobe B-2-300-RAL 6010/9001, acc. to N19/03.194

Wardrobes of this series are produced also with straight top acc. to N19/03.205, in varieties A and B.



N19/03.192

compartment width b_1	type	type			
		1	2	3	4
$b_1=300$	b	315	604	894	1183
	mass/kg	22	32	42	52
$b_1=350$	b	365	704	1044	1383
	mass/kg	22	33	43	54
$b_1=400$	b	415	804	1194	—
	mass/kg	23	34	45	—

varieties:
A - base on the feet (as shown)
B - base on the socle
C - without base, adapted for placing on the benches acc. to N19/03.202

Steel wardrobe made of steel sheets, painted with baking enamel. In the upper part each compartment has a lockable door. Below in the open part, wardrobe is equipped with hanging rail with hooks. Doors lockable with cam lock as standard, including two keys. In your order please define:
 Name, variety, type, size of the compartment, door colour (acc. to RAL system), body colour and catalogue number.
 Description example:

Wardrobe A-2-300-RAL 6010/9001, acc. to N19/03.192



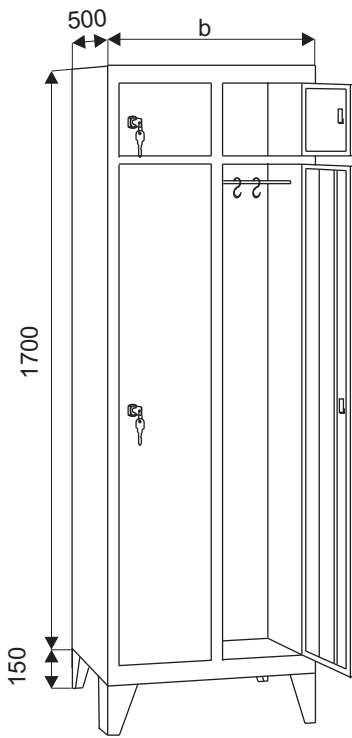
N19/03.197

compartment width b_1	type	type			
		1	2	3	4
$b_1=300$	b	315	604	894	1183
	mass/kg	26	40	54	68
$b_1=350$	b	365	704	1044	1383
	mass/kg	27	42	57	72
$b_1=400$	b	415	804	1194	—
	mass/kg	28	44	60	—

varieties:
A - base on the feet (as shown)
B - base on the socle
C - without base, adapted for placing on the benches acc. to N19/03.202

Steel wardrobe made of steel sheets, painted with baking enamel. Each compartment is equipped with hanging rail with hooks and hanger for towel placed on the inner side of door. Doors lockable with cam lock as standard, including two keys. In your order please define:
 Name, variety, type, size of the compartment, door colour (acc. to RAL system), body colour and catalogue number.
 Description example:

Wardrobe A-2-300-RAL 6010/9001, acc. to N19/34.197



N19/05.1034

compartment width b_1	type	type			
		1	2	3	4
$b_1=300$	b	315	604	894	1183
	mass/kg	22	32	42	52
$b_1=350$	b	365	704	1044	1383
	mass/kg	22	33	43	54
$b_1=400$	b	415	804	1194	—
	mass/kg	23	34	45	—

varieties:
A - base on the feet (as shown)
B - base on the socle
C - without base, adapted for placing on the benches acc. to N19/03.202

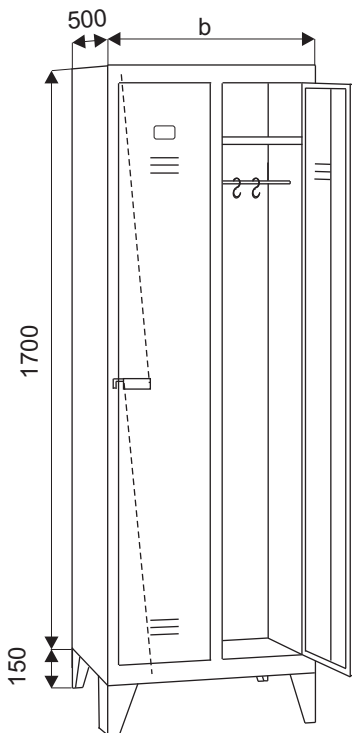
Steel wardrobe made of steel sheets, painted with baking enamel. In the upper part each compartment has a lockable door. Below, wardrobe is equipped with hanging rail with hooks. Doors lockable with cam locks as standard, including two keys.

In your order please define:

Name, variety, type, size of the compartment, door colour (acc. to RAL system), body colour and catalogue number.

Description example:

Wardrobe A-2-300-RAL 6010/9001, acc. to N19/05.1034



N19/05.0795

compartment width b_1	type	type			
		1	2	3	4
$b_1=300$	b	315	604	894	1183
	mass/kg	26	40	54	68
$b_1=350$	b	365	704	1044	1383
	mass/kg	27	42	57	72
$b_1=400$	b	415	804	1194	—
	mass/kg	28	44	60	—

varieties:
A - base on the feet (as shown)
B - base on the socle
C - without base, adapted for placing on the benches acc. to N19/03.202

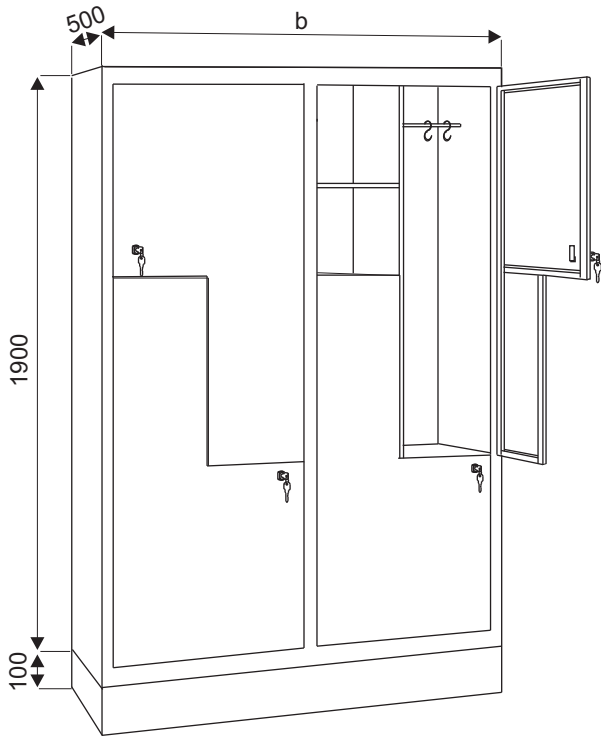
Steel wardrobe made of steel sheets, painted with baking enamel. Each compartment is equipped hanging rail with fixed shelf above and hanger for towel placed on the inner side of door. Doors locked with padlock and 3-point locking system (middle, top, bottom).

In your order please define:

Name, variety, type, size of the compartment, door colour (acc. to RAL system), body colour and catalogue number.

Description example:

Wardrobe A-2-300-RAL 6010/9001, acc. to N19/05.0795

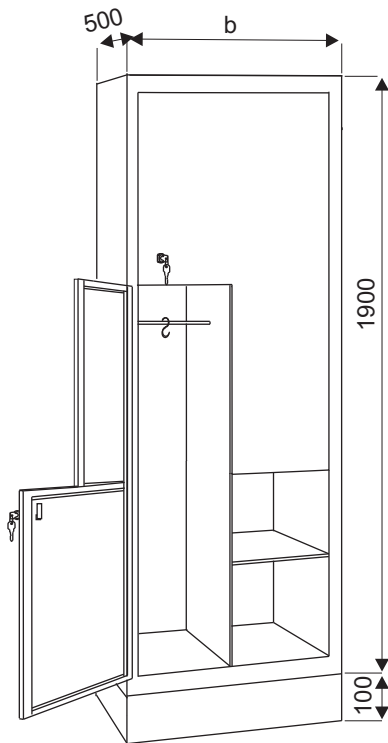


N19/05.0687

Steel wardrobe made of steel sheets, painted with baking enamel. Each compartment is equipped with hanging rail with hooks and fixed shelf. Doors lockable with cam lock as standard, including two keys. In your order please define: Name, variety, size (b), door colour (acc. to RAL system), body colour and catalogue number. Description example:

Wardrobe A-800-RAL 6010/9001, acc. to N19/05.0687

size b	800	1000
varieties: A - base on the feet B - base on the socle (as shown) C - without base, adapted for placing on the benches acc. to N19/03.202		

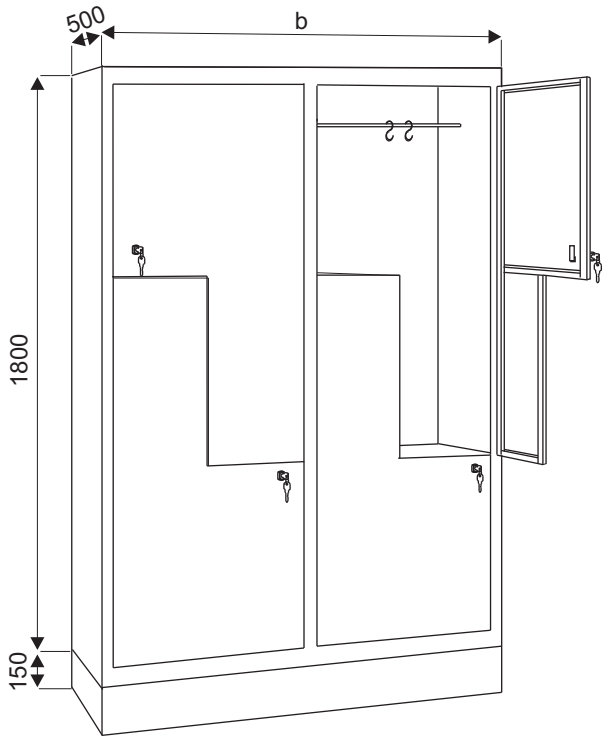


N19/05.0692

Steel wardrobe made of steel sheets, painted with baking enamel. Each compartment is equipped with hanging rail with hooks and fixed shelf. Doors lockable with cam lock as standard, including two keys. In your order please define: Name, variety, size (b), door colour (acc. to RAL system), body colour and catalogue number. Description example:

Wardrobe A-410-RAL 6010/9001, acc. to N19/05.0692

size b	410	510
varieties: A - base on the feet B - base on the socle (as shown) C - without base, adapted for placing on the benches acc. to N19/03.202		

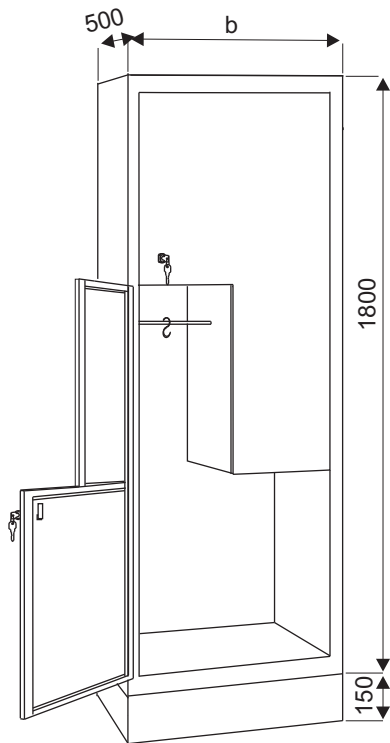


N19/05.1155

Steel wardrobe made of steel sheets, painted with baking enamel. Each compartment is equipped with hanging rail with hooks.
 Doors lockable with cam lock as standard, including two keys.
 In your order please define:
 Name, variety, size (b), door colour (acc. to RAL system), body colour and catalogue number.
 Description example:

Wardrobe A-800-RAL 6010/9001, acc. to N19/05.1155

size b	800	1000
varieties: A - base on the feet B - base on the socle (as shown) C - without base, adapted for placing on the benches acc. to N19/03.202		



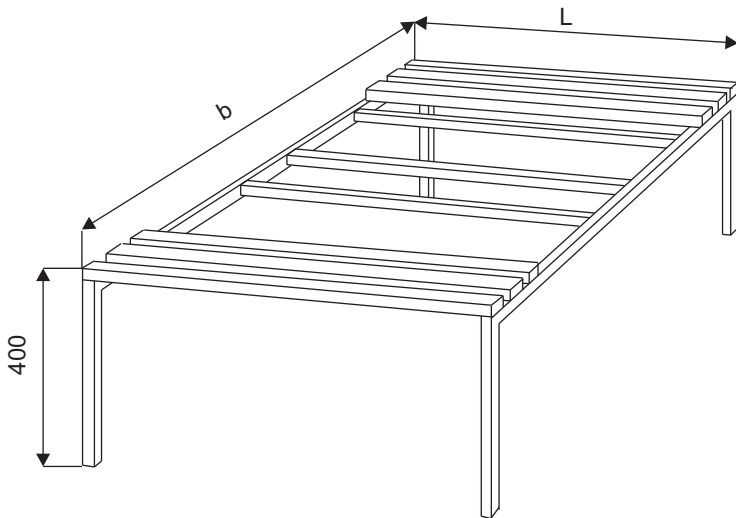
N19/05.1154

Steel wardrobe made of steel sheets, painted with baking enamel. Each compartment is equipped with hanging rail with hooks.
 Doors lockable with cam lock as standard, including two keys.
 In your order please define:
 Name, variety, size (b), door colour (acc. to RAL system), body colour and catalogue number.
 Description example:

Wardrobe A-410-RAL 6010/9001, acc. to N19/05.1154

size b	410	510
varieties: A - base on the feet B - base on the socle (as shown) C - without base, adapted for placing on the benches acc. to N19/03.202		

BENCHES



N19/03.202

type					
		A	B	B	A
size L		b=850		b=1700	
	315	7	12		
	365	8	13		
	415	9	14		
	604	11	19		
	704	12	21		
	804	13	23		
	894	14	25		
	1044	18	33		
	1194	19	36		
	1183	19	36		
	1383	22	41		
	1473	23	43		

for wardrobes put together L dimension give individually max length - 3 m

Bench frame is made of steel square profiles, painted with baking enamel. Seat slats are made of plywood, covered with varnish. This bench is destined for setting up wardrobes of type C on it, for example: N19/03.189, N19/03.195, N19/03.193, N19/03.192, N19/03.197, N19/05.1154 and N19/05.1155.

Benches longer than 1500 mm have 6 legs.

Wardrobe fastening with screws through the profile made by orderer.

In your order please define:

Name, variety, size (L), frame colour (acc. to RAL system) and catalogue number.

Description example:

Bench B-1044-RAL 5005, acc. to N19/03.202

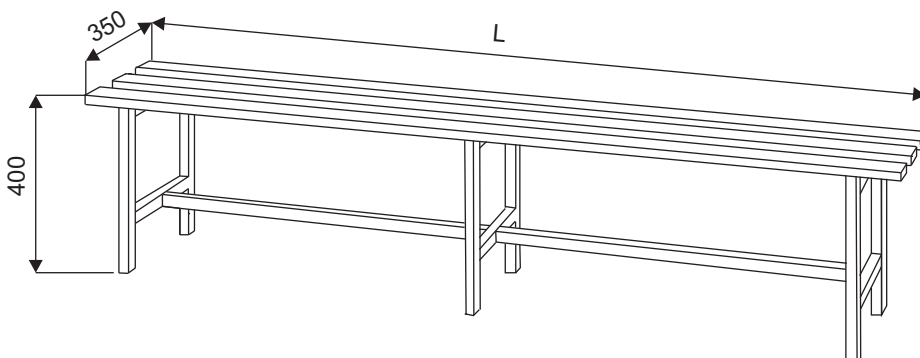
Bench frame is made of steel square profiles, painted with baking enamel. Seat slats are made of plywood, covered with varnish. This bench is destined for placing in front of the wardrobes: N19/03.194, N19/03.200, N19/03.201 and N19/03.205. Benches longer than 1500 mm have 6 legs.

In your order please define:

Name, size (L), frame colour (acc. to RAL system) and catalogue number.

Description example:

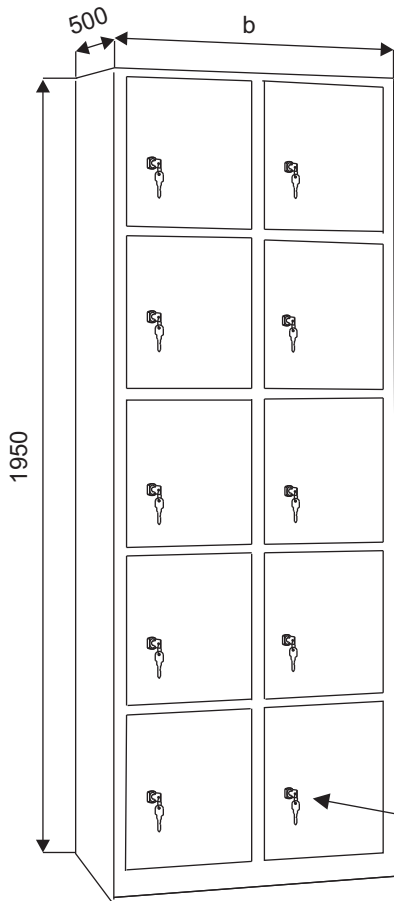
Bench 1500-RAL 5005, acc. to N19/03.203



N19/03.203

size L	mass kg
1000	14
1500	21
2000	26

LOCKERS / WARDROBES FOR CHANGING ROOMS



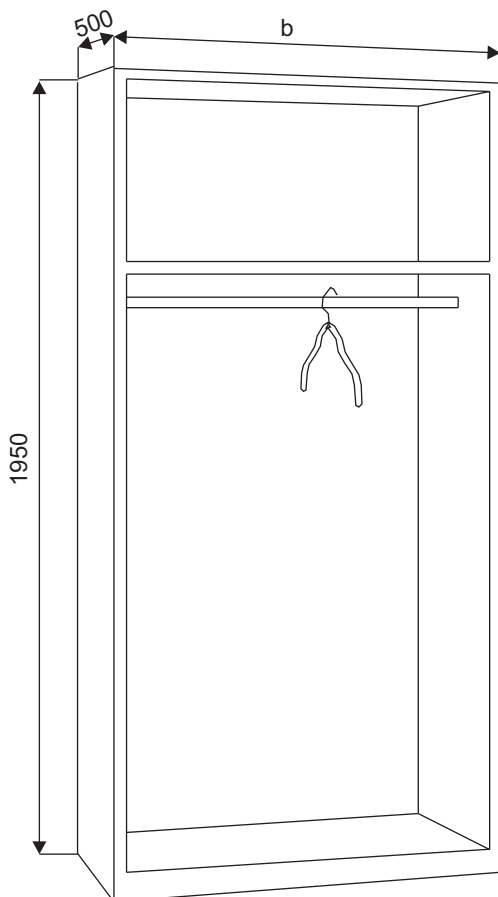
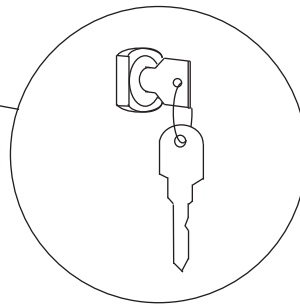
N19/03.206

type			
	1	2	3
b	365	704	1044
mass/kg	34	59	86

Locker made of steel sheets, painted with baking enamel. Doors lockable with cam lock as standard, including two keys. In your order please define:
Name, type, door colour (acc. to RAL system), body colour and catalogue number.

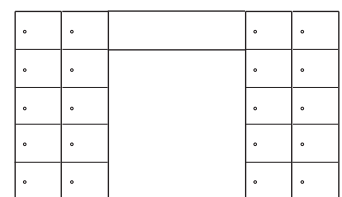
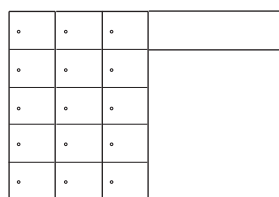
Description example:

Wardrobe 2-RAL 6010/9001, acc. to N19/03.206



N19/03.207

Proposed configuration variants of wardrobes N19/03.206 and N19/03.207.



size	mass
b	kg
704	24
1044	38
1473	48

Wardrobe made of steel sheets, painted with baking enamel. This wardrobe is equipped with hanging rail for clothe hangers and fixed shelf above.

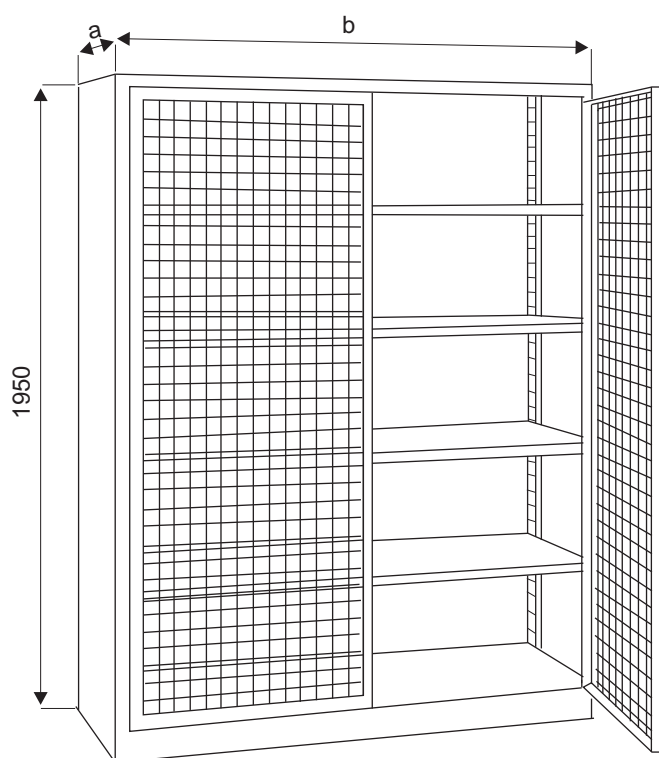
In your order please define:

Name, size, body colour (acc. to RAL system) and catalogue number.

Description example:

Wardrobe 704-RAL 9001, acc. to N19/03.207

CUPBOARDS FOR WORKSHOP



size b x a	mass kg
1200 x 500	79
1200 x 600	87
1500 x 500	91
1500 x 600	99

Cupboard made of steel sheets, painted with baking enamel. The cupboard consists of 4 adjustable shelves (adjustment every 43 mm).

Doors locked with 3-point lock (middle, top, bottom locked with one lock).

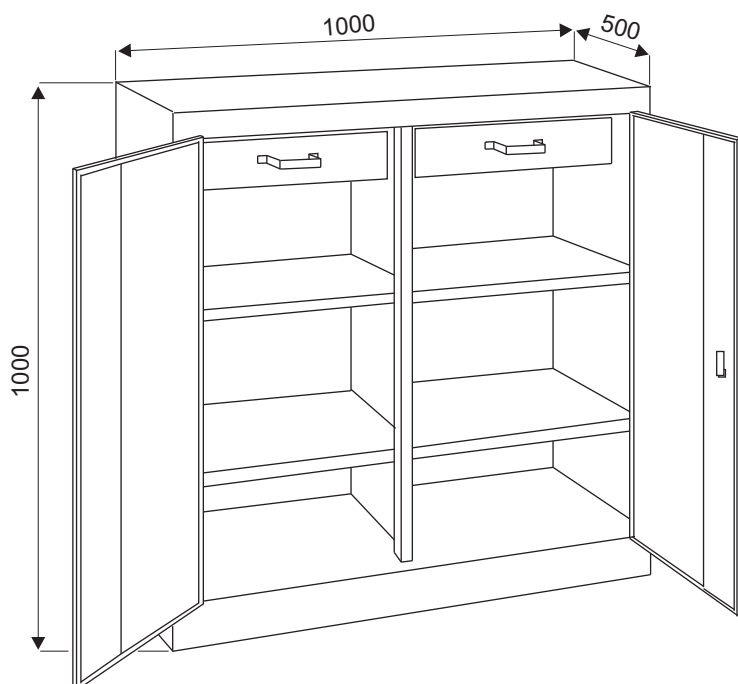
In your order please define:

Name, size (bxa), door colour (acc. to RAL system), body colour and catalogue number.

Description example:

Cupboard 1200x500 RAL 6010/9001, acc. to N19/03.210

N19/03.210



Locker made of steel sheets, painted with baking enamel. Each compartment consists of 2 shelves and a drawer.

Doors locked with 3-point lock (middle, top, bottom locked with one lock)

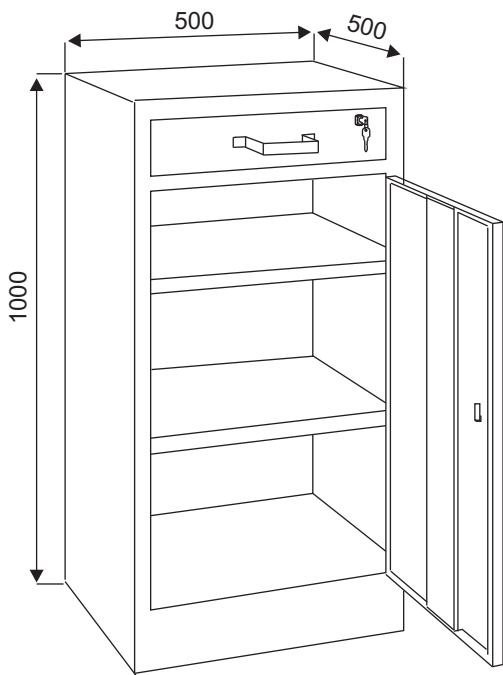
In your order please define:

Name, door colour (acc. to RAL system), body colour and catalogue number.

Description example:

Locker RAL 6010/9001, acc. to N19/03.217

N19/03.217



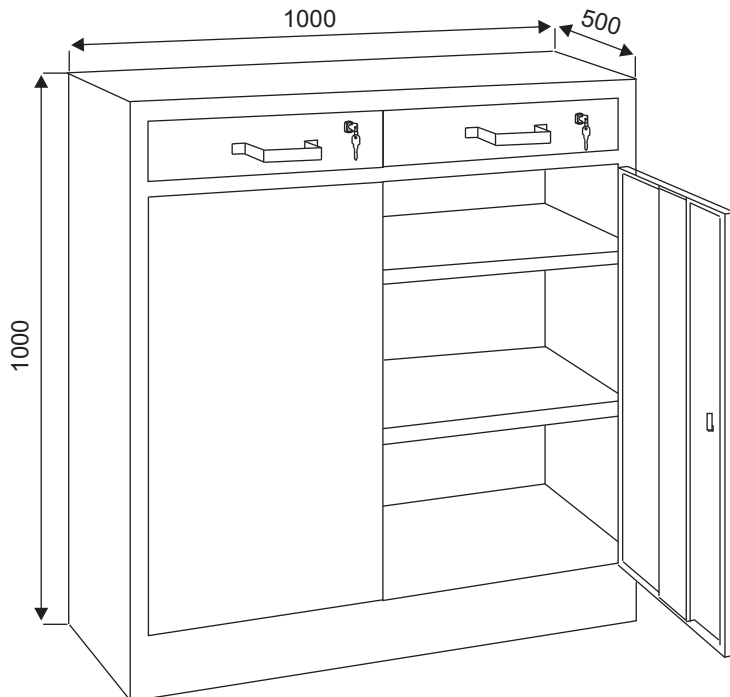
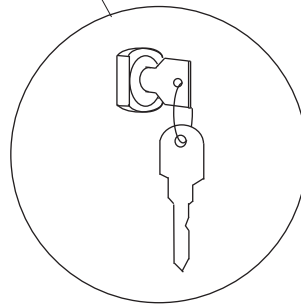
N19/03.211

Locker made of steel sheets, painted with baking enamel. Each compartment consist of 2 shelves and drawer above.
 Door and drawer locked with cam lock as standard, including two keys.

In your order please define:
 Name, door colour (acc. to RAL system),
 body colour and catalogue number.

Description example:

Locker RAL 6010/9001, acc. to N19/03.211



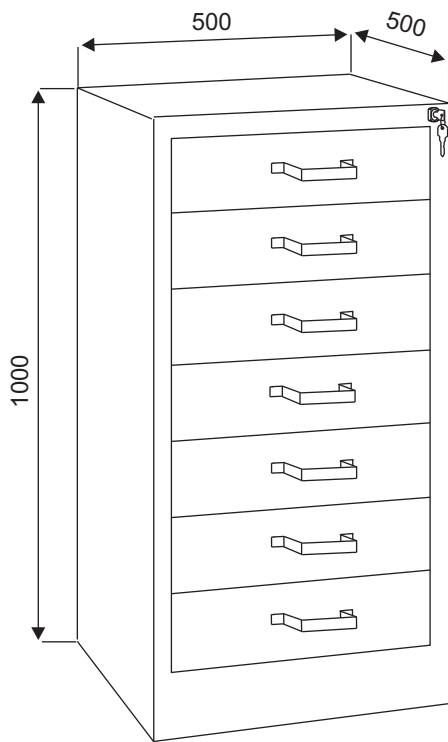
N19/03.212

Locker made of steel sheets, painted with baking enamel. This locker consist of 2 shelves and 2 separate drawers above.
 Doors and drawers locked with cam lock as standard, including two keys.

In your order please define:
 Name, door colour (acc. to RAL system),
 body colour and catalogue number.

Description example:

Locker RAL 6010/9001, acc. to N19/03.212



N19/03.213

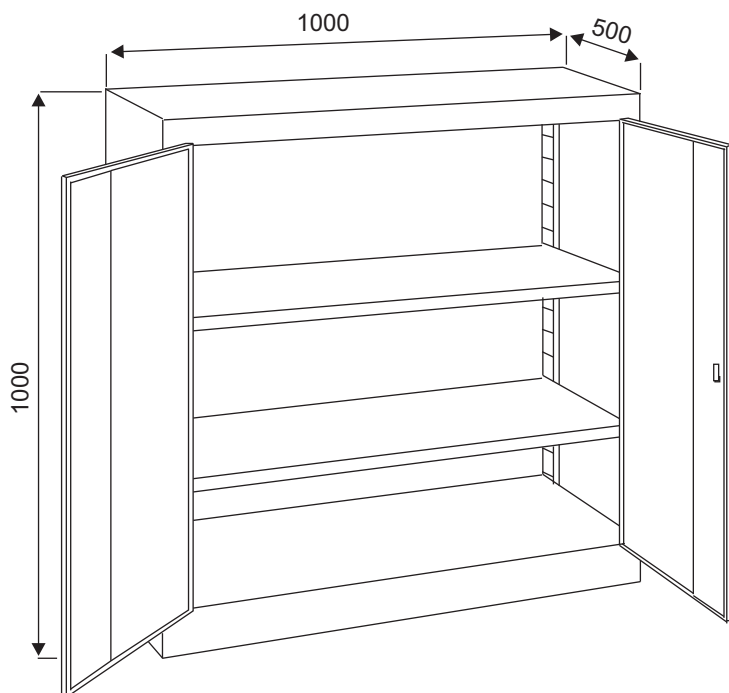
Locker made of steel sheets, painted with baking enamel. This locker consists of 7 drawers, lockable with central locking system.

In your order please define:

Name, door colour (acc. to RAL system), body colour and catalogue number.

Description example:

Locker RAL 6010/9001, acc. to N19/03.213



N19/03.214

Cupboard made of steel sheets, painted with baking enamel.

This cupboard consists of 2 adjustable shelves (adjustment every 43 mm)

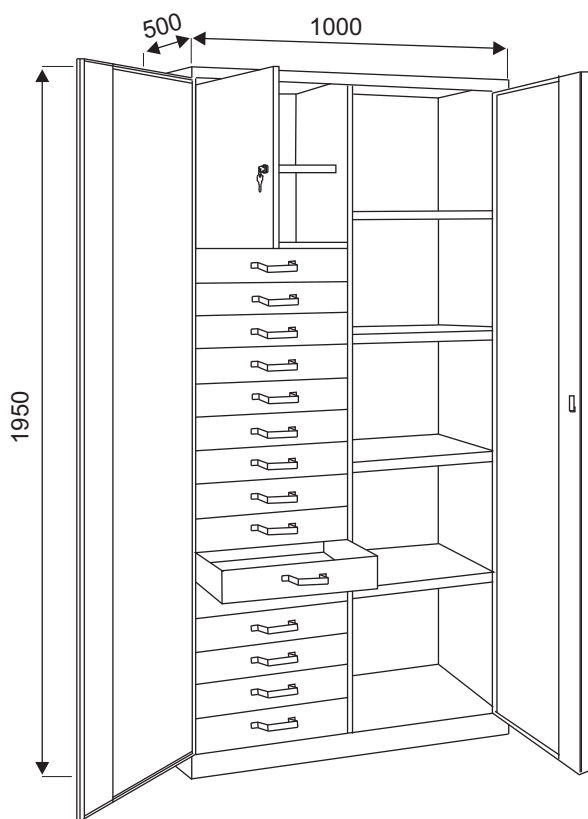
Door locked with 3-point lock (middle, top, bottom locked with one lock).

In your order please define:

Name, door colour (acc. to RAL system), body colour and catalogue number.

Description example:

Cupboard RAL 6010/9001, acc. to N19/03.214



Locker for tools made of steel sheets, painted with baking enamel.

Left compartment consist of 15 drawers and locker in the upper part.

Right compartment equipped with 4 shelves.

Doors locked with 3-point lock (middle, top, bottom locked with one lock).

In your order please define:

Name, door colour (acc. to RAL system), body colour and catalogue number.

Description example:

Cupboard RAL 6010/9001, acc. to N19/03.215

N19/03.215