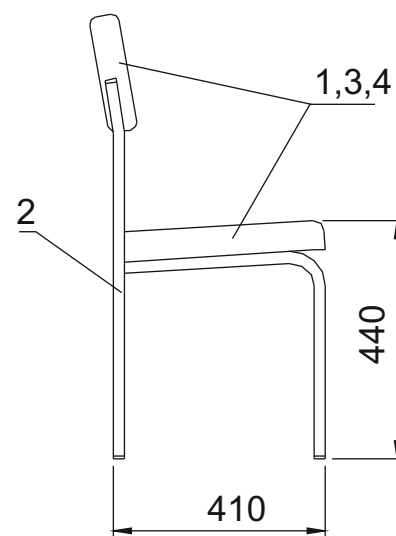
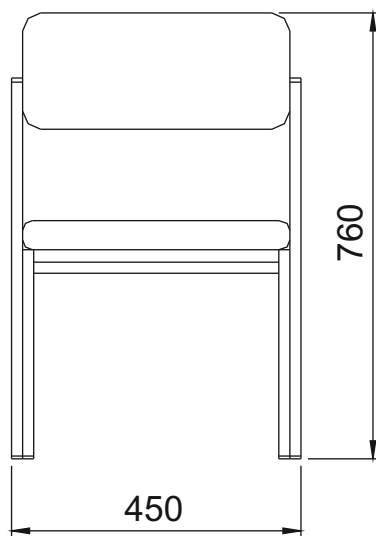




Mass - 6 kg



Materials:

- 1 - plate 3mm
- 2 - steel profile 20x20x2
- 3 - polyurethane foam
- 4 - poroflex