

FIXED LOUVER - "T"						
Louver discriminant	HxB	Frame thickness (for S235; 14571)	Surface flow [m ²]		Mass [kg]	
			Frame type "P"	Frame type "K"	Frame type "P"	Frame type "K"
200x200		6	0,02	5	8	
200x250		6	0,025	5,3	8,5	
250x200		6	0,025	5,7	9	
250x250		6	0,032	6	9,3	
250x300		6	0,038	6,5	10	
250x350		6	0,044	7,5	11	
300x250		6	0,038	7,2	10,7	
300x300		6	0,045	7,5	11	
300x350		6	0,053	7,7	11,4	
300x400		6	0,06	8,3	12,3	
350x250		6	0,043	7,4	11	
350x300		6	0,052	8	11,8	
350x350		6	0,061	8,3	12,3	
350x400		6	0,07	9,5	13,6	
350x450		6	0,078	10,3	14,6	
400x300		6	0,06	8,2	12,2	
400x350		6	0,07	9	13,1	
400x400		6	0,08	9,2	13,7	
400x450		6	0,09	10,7	15,2	
400x500		6	0,10	12	16,7	
450x300		6	0,067	9,5	13,6	
450x350		6	0,078	10,3	14,6	
450x400		6	0,09	11,2	15,7	
450x450		6	0,101	12	16,7	
450x500		6	0,112	12,8	17,6	
500x400		6	0,1	12	16,7	
500x450		6	0,112	12,7	17,5	
500x500		6	0,125	13,7	18,6	

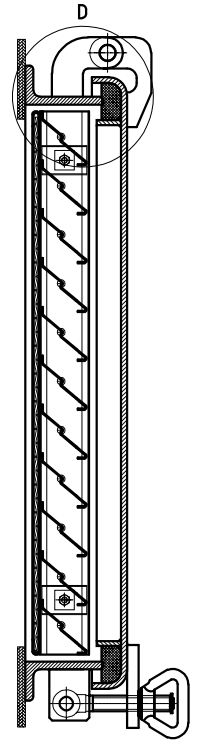
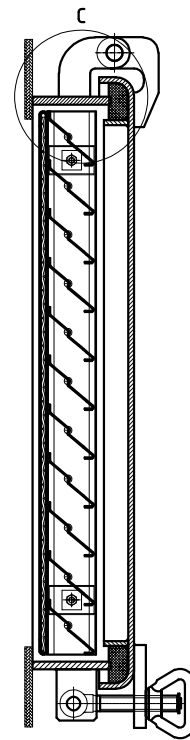
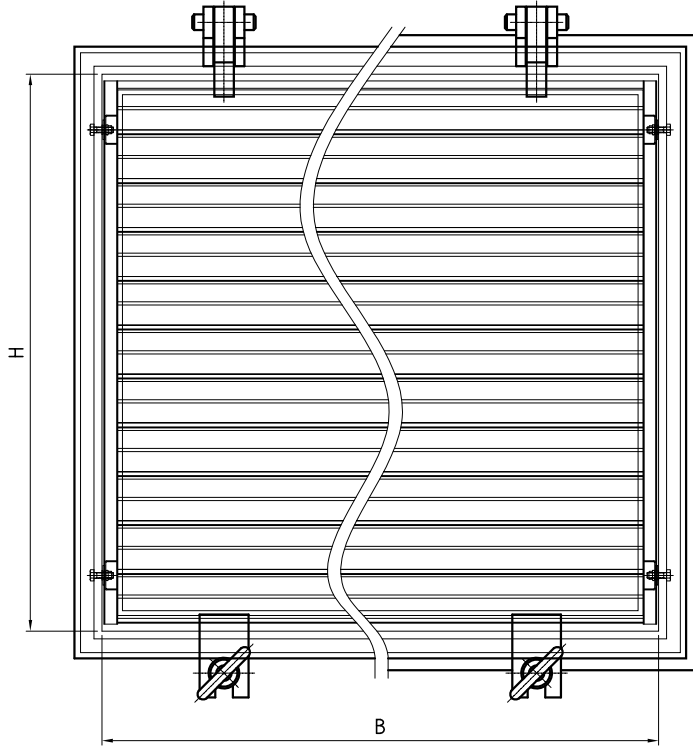
FIXED LOUVER - "T"						
Louver discriminant	HxB	Frame thickness (for S235; 14571)	Surface flow [m ²]		Mass [kg]	
			Frame type "P"	Frame type "K"	Frame type "P"	Frame type "K"
500x600		6	0,15	15,4	20,7	
500x750		6	0,187	18,2	24	
500x800		6	0,2	19,2	25	
500x1200		8	0,3	30,8	33,8	
500x1400		8	0,35	34,8	38	
600x500		6	0,15	15,5	20,8	
600x800		6	0,24	21,5	27,8	
600x1000		8	0,3	28,7	31,6	
600x1200		8	0,36	34	37,1	
600x1500		8	0,45	40	43,3	
700x800		6	0,28	23,8	30,3	
700x1000		8	0,35	32,5	35,5	
700x1200		8	0,42	37	40,2	
800x900		6	0,36	28,3	35,5	
800x1000		8	0,4	35,2	38,2	
800x1200		8	0,48	40,3	43,5	
800x1500		8	0,6	48	51,4	
800x1800		8	0,72	55,8	59,5	
900x500		6	0,225	20,7	27	
900x1000		8	0,45	38	41,2	
900x1200		8	0,54	43,5	46,8	
900x1500		8	0,675	52,2	55,7	
900x1800		8	0,81	60,3	64	
1000x600		8	0,3	29,5	32,5	
1000x1200		8	0,6	46,7	50	
1000x1500		8	0,75	55,5	58,3	
1000x1800		8	0,9	64,5	66,5	
1200x1500		8	0,9	63	66	
1200x1800		8	1,08	73	77	

Remark: The masses which are given in the table concern louvers T-...WSI...-S235(K and P)-E

CLOSABLE VENTILATION LOUVER - "Z"

Frame type "P"
(flat bar)

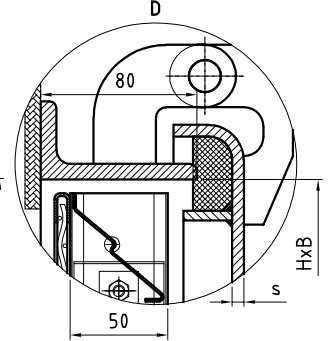
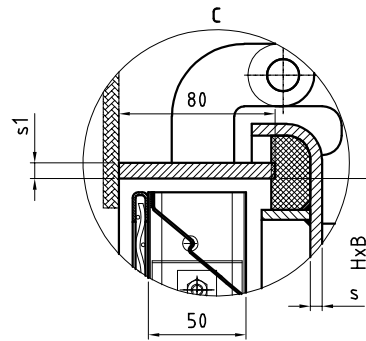
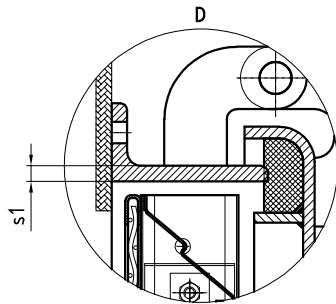
Frame type "K"
(angle bar)



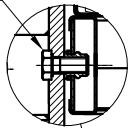
Frame type "P"
(flat bar)

Frame type "K"
(angle bar)

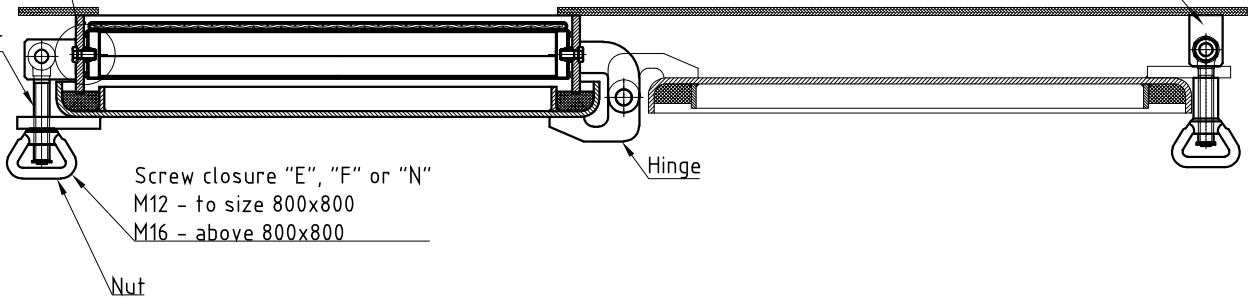
Frame type "Kp"
(screwed angle bar)



Bolt M8x25
acc. to DIN 933



Eye bolt



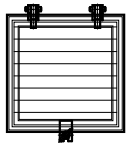
Screw closure "E", "F" or "N"
M12 - to size 800x800
M16 - above 800x800

Hinge

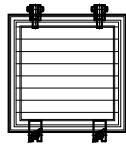
Nut

Closure type "H"
varieties: E, F, N
(del. loose)

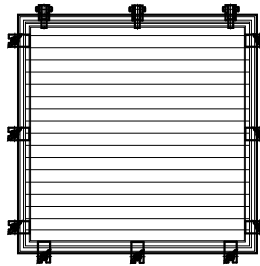
Variety G(D)



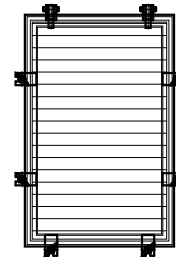
200×200



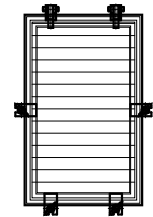
250×300 370×370
270×320 400×450
320×320 420×420
330×330 420×450
350×350



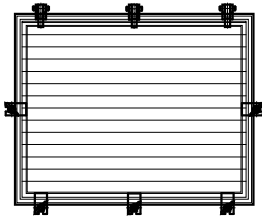
1300×1300



1020×520
1200×700
1210×920

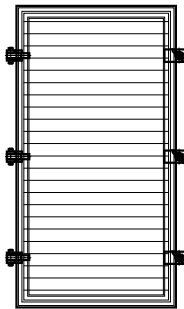


720×420 1020×920
750×500 1020×1020
1000×600 1070×920
1020×720

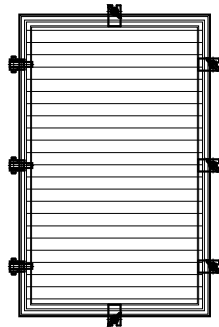


1220×920

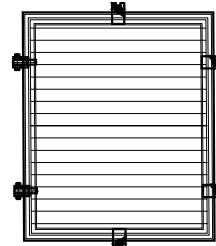
Variety L(P)



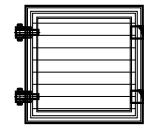
850×450
1000×500



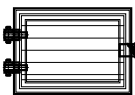
1000×600 1500×1000
1000×800 1600×650
1200×650 1800×1020



800×650



300×250 500×330
350×300 500×350
370×370 600×500
390×190 750×600
500×200



120×210
200×200
200×350
250×250

Technical characteristic:

The ventilation louvers are equipped with screwed louver input which is made of stainless steel grade 1.4571 (316). Louver blades (air guide vanes) are inclined at the angle of 45° and cover the working space completely.

Input type "WSI" has a permanently mounted grid which is made of woven screen of stainless steel wire Ø 1.2, with grid eye 12 mm.

This ventilation louver can be installed in steel and aluminium walls. Frames of type "K" are made with holes Ø 11 for screwing the louver to the wall.

Closable louvers are equipped with a cover. Screw closures (M12) are installed in louvers "Z" to size 800x800, above that size they are replaced with M16 closures.

The bolts of the closures and hinges are made of stainless steel grade 1.4571.

Types and marking:

1. Degree of protection:

SPT - splashtight louver

WET - weathertight louver

PE - permable louver

G - gastightness for SPT and WET



2. Version:

- T - without cover
- Z - with cover

3. Cover material (for "Z"):

- 5083 - aluminum
- S235 - steel
- S235ZN - galvanized steel

4. Kinds (for "Z"):

- D - hinges on the bottom
- G - hinges on top
- L - hinges from left side
- P - hinges from right side

5. Closing mechanism (for "Z"):

- PS - screw closures

6. Kinds of closures (for "PS"):

- E - brass eye bolt with brass nut
- F - stainless steel eye bolt with brass nut
- N - stainless steel eye bolt with stainless steel nut

7. Model (for "Z"):

- acc. to the drawing

8. Frame discriminant:

8.1. Frame material:

- 6060 - aluminium
- S235 - steel

8.2. Frame type:

- P - flat bar
- K - angle bar

8.3. Frame mounting:

- p - louver frame bolted to the ship's wall (e.g. Kp)

9. Frame shape:

- R0 - louver frame with rectangular corners

10. Dimension - H x B x s - 80 x s1

11. Input type:

- W - removable with blades
- WSI - removable with blades and grid
- SI - removable with grid

12. Blade arrangement (for "W" and "WSI"):

- HZ - horizontal

13. Blade material (for "W" and "WSI"):

- 1.4571 - stainless steel

14. Grid material (for "WSI" and "SI"):

- 1.4571 - stainless steel

15. Equipment:

- no discriminant - without additional equipment
- 1E - one closure H type with brass eye bolt and brass nut
- 1F - one closure H type with stainless steel eye bolt and brass nut
- 1N - one closure H type with stainless steel eye bolt and stainless steel nut

16. Finishing:

Louver painted with undercoat paint or acc. to arrangements with the client.

Marking sample " Ventilation louver acc. to N19/34.055 "

SPT — Z — S235 — L — PS — N — I — S235Kp — R0 —

Degree of protection Version Cover material Kind Closing mechanism Kind of closure Model Frame type and material Frame shape

— 400x400x6-80x8 — WSI — HZ — 1.4571 — 1.4571 — 1F — M38

Dimension Input type Blade arrangement Blade material Grid material Equipment Finishing