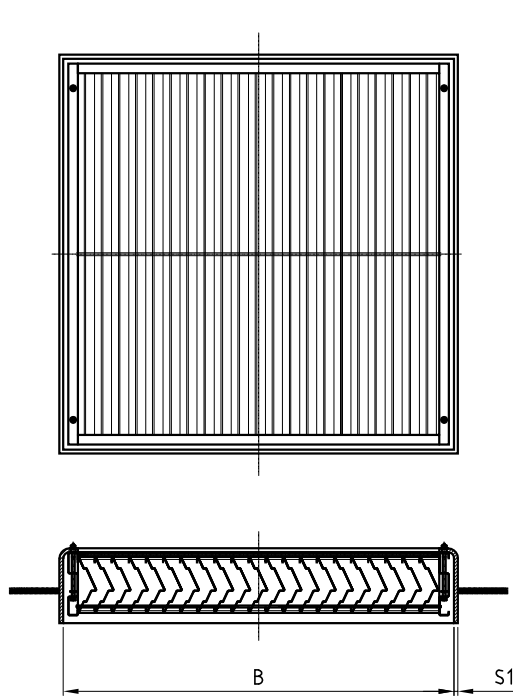


SPLASHTIGHT LOUVER WITHOUT COVER - "T"



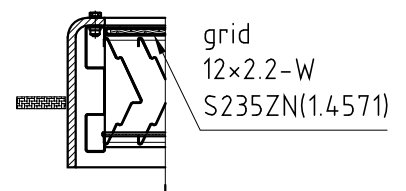
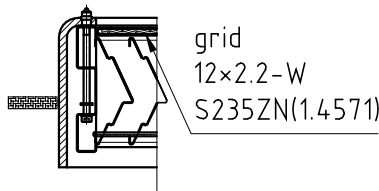
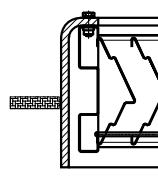
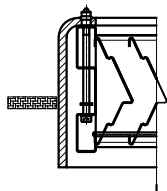
INPUT TYPE

W - removable

E - fixed

WSI - removable with grid

ESI - fixed with grid



FRAME TYPE

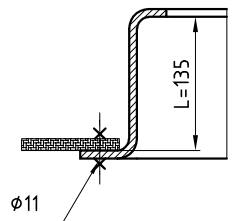
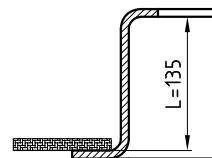
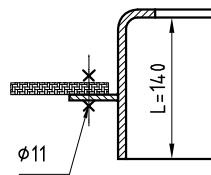
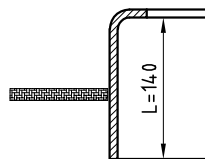
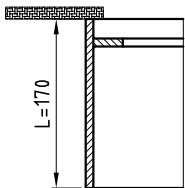
N - overlaid (welded)

K - recessed (welded)

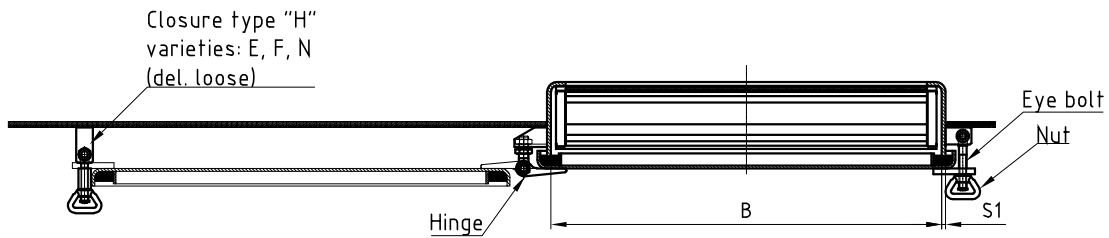
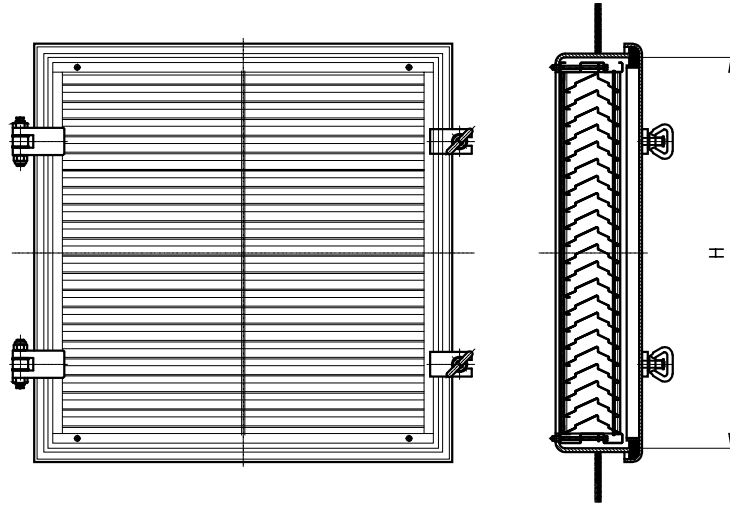
Kp - recessed (bolted)

Z- Z-profile (welded)

Zp- Z-profile (bolted)



WEATHERTIGHT LOUVER WITH COVER - "Z"



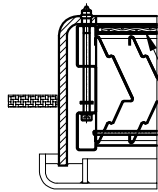
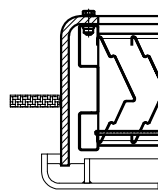
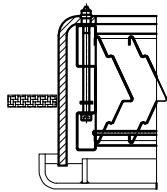
INPUT TYPE

W - removable

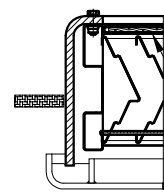
E - fixed

WSI - removable with grid

ESI - fixed with grid



grid
12x2.2-W
S235ZN(1.4571)



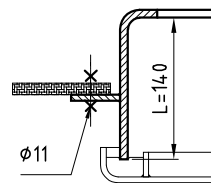
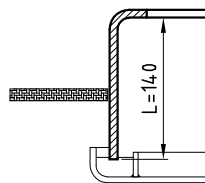
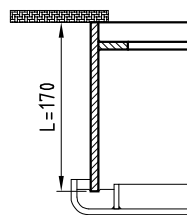
grid
12x2.2-W
S235ZN(1.4571)

FRAME TYPE

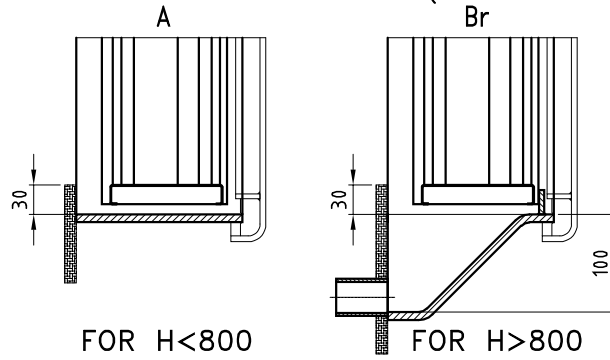
N - overlaid (welded)

K - recessed (welded)

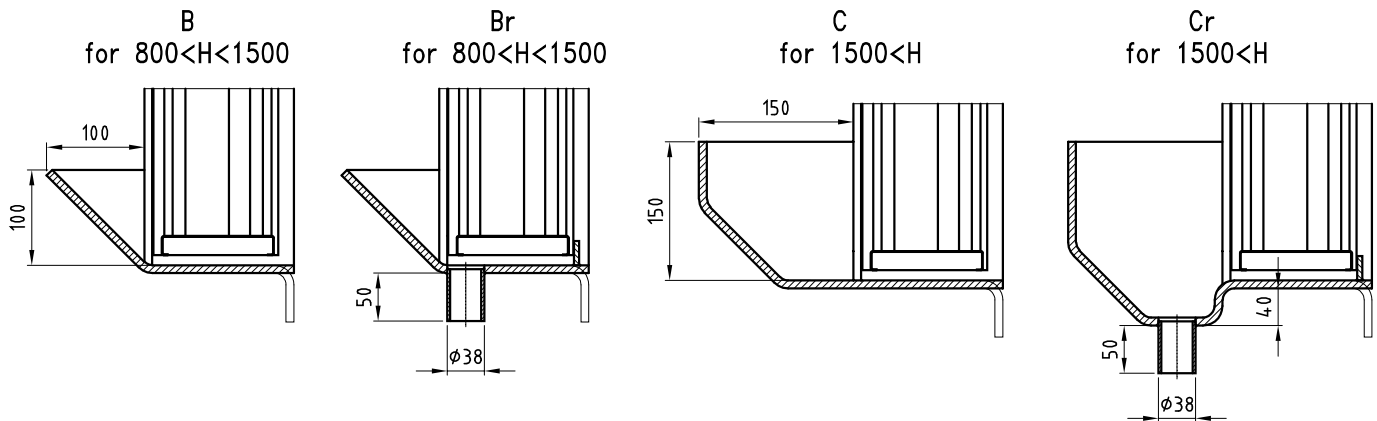
Kp - recessed (welded)



SPOUT FOR OVERLAID LOUVER (FRAME TYPE "N")



SPOUT FOR RECESSED LOUVER (FRAME TYPE "K", "Z")



Standard louver dimension table.

It is possible to produce louvers of other dimensions than given in the table.

Louver discriminant HxB	Surface flow [m ²]	Input mass [kg]		Frame thickness		Frame mass [kg]		Cover thickness		Cover mass [kg]	
		W(E)	WS(ESI)	S235	5083	S235	5083	S235	5083	S235	5083
500x400	0,09	5,5	6,3	5	6	14	6,9	6	6	16,4	5,7
500x450	0,1	6	6,8	5	6	14,7	7,2	6	6	17,9	6,3
500x500	0,11	6,5	7,4	5	6	15,5	7,6	6	6	19,5	6,8
500x600	0,14	7,7	8,8	5	6	16,9	8,4	6	6	22,6	7,9
500x750	0,17	9,8	11,2	5	6	20,3	10	6	6	27,2	9,5
500x800	0,19	10,4	12	5	6	22	11	6	6	28,8	10
500x1200	0,29	14,8	17,1	6	8	40,3	17	6	8	46,7	20,8
500x1400	0,34	17,5	20,2	6	8	44,9	19	6	8	53,2	23,7
600x500	0,14	8,2	9,4	5	6	16,9	8,4	6	6	22,6	10,1
600x800	0,24	12,4	14,3	5	6	50,3	12	6	6	33,3	14,8
600x1000	0,3	15,2	17,6	6	8	39,2	16,6	6	8	43,8	19,5
600x1200	0,37	18,8	21,7	6	8	43,5	18,4	6	8	52,1	23,2
600x1500	0,46	2,2	25,6	8	8	69,5	22,9	8	8	81,5	28,2
700x800	0,29	14,3	16,6	5	6	26,3	13	6	6	35,1	13
700x1000	0,37	17,6	20,4	6	8	44,2	20,4	6	8	49,7	22,1
700x1200	0,44	20,9	24,3	6	8	48,5	20,5	6	8	58,2	25,9
800x900	0,38	18,1	21	6	8	42,8	18,1	6	8	47	20,9
800x1000	0,43	20	23,3	6	8	47,4	20	6	8	55,4	24,7
800x1200	0,52	23,8	27,8	6	8	51,6	21,8	6	8	65	29
800x1500	0,66	29,5	34,5	8	8	82	27	8	8	102,4	35,5
800x1800	0,8	35	41	8	8	91	29,7	8	8	120,8	41,9
900x500	0,22	12	13,8	6	8	30,7	13	6	8	31,9	14,2
900x1000	0,47	22,4	26,1	6	8	50,5	21,4	6	8	61,6	27,4
900x1200	0,57	26,6	31,1	6	8	56,2	23,2	6	8	71,6	31,9
900x1500	0,72	33	38,6	8	8	88	27,8	8	8	112,5	39
900x1800	0,87	39,9	46,1	8	8	97	31,3	8	8	133	46,1
1000x600	0,31	15,6	18,1	6	8	34,9	14,8	6	8	44	19,6
1000x1200	0,65	29,5	34,5	6	8	58	24,5	6	8	78,3	34,9
1000x1500	0,82	36,4	42,7	8	8	97,4	30,3	8	8	122,9	42,6
1000x1800	0,99	43,5	51,1	8	8	104,4	33	8	8	145	50,3
1200x1500	1,02	42,3	50	8	8	105,8	33,6	8	8	143,6	49,7
1200x1800	1,23	50,6	59,8	8	8	115	36,2	8	8	169,5	58,7

The mass of the whole louver is equal to sum of masses of the input, frame, cover (for louvers with cover).

**Technical characteristic:**

The ventilation louvers are equipped with fixed "E" or bolted "W" input which is made of stainless steel grade 1.4571 (316) or aluminium AlMg4,5Mn. The input can be additionally equipped with grid "WSI" and "ESI", made of stainless steel "1.4571" oraz ocynkowanej "S235ZN" with grid eye 12 mm.

Design of the louver provides installing it in steel or aluminium walls. Frames bolted to the wall are made with holes \varnothing 11. In louvers "Z" (with cover) to size 800x800 screw closures (M12) are installed, above that size they are replaced with M16 closures.

Closable louvers with cover closed provide integrity for pouring them with water stream 200 kPa from distance 1,5 m. The bolts of the closures and hinges are made of stainless steel grade 1.4571.

Types and marking:**1. Degree of protection:**

SPT - splashtight louver (without cover)

WET - weathertight louver (with cover)

G - gastightness for WET

2. Version:

T - without cover

Z - with cover

3. Cover material (for "Z"):

5083 - aluminium

S235 - steel

S235ZN - galvanized steel

4. Kinds (for "Z"):

D - hinges on the bottom

G - hinges on top

L - hinges from left side

P - hinges from right side

5. Closing mechanism (for "Z"):

PS - screw closures

6. Kinds of closures (for "PS"):

E - brass eye bolt with brass nut

F - stainless steel eye bolt with brass nut

N - stainless steel eye bolt with stainless steel nut

7. Model (for "Z"):

-acc. to the drawing

8. Frame discriminant:**8.1. Frame material:**

5083 - aluminium

S235 - steel

8.2. Frame type:

P - made of flat bar

K - made of angle bar

Z - made of z-profile

8.3. Frame mounting:

-no discriminant - welded to the ship's wall

p - bolted to the ship's wall (e.g. Kp; Zp)

9. Frame shape:

R0 - louver frame with rectangular corners

10. Dimension - H x B x S-LxS1 (for execution without cover: HxB-LxS1)**11. Input type:**

E - fixed

W - removable

ESI - fixed with grid

WSI - removable with grid

12. Blade arrangement:

VR - vertical

13. Blade material:

5754 - aluminium

1.4571 - stainless steel



14. Grid material:

- 1.4571 - stainless steel
- S235ZN - galvanized steel

15. Spout type:

- no discriminant - no spout
- A - type A (for frame type "N" only)
- B - type B (for frame type "K" and "Z" only)
- Br - with rain water pipe type Br
- C - type A (for frame type "K" and "Z" only)
- Cr - with rain water pipe type Cr (for frame type "K" and "Z" only)

16. Equipment:

- no discriminant - without additional equipment
- 1E - one closure H type with brass eye bolt and brass nut
- 2E - two closures H type with brass eye bolts and brass nuts
- 1F - one closure H type with stainless steel eye bolt and brass nut
- 2F - two closures H type with stainless steel eye bolts and brass nuts
- 1N - one closure H type with stainless steel eye bolt and nut
- 2N - two closures H type with stainless steel eye bolts and stainless steel nuts

17. Finishing:

Louver painted with undercoat paint or acc. to arrangements with the client.

Marking sample " Ventilation louver acc. to N19/34.080 "

