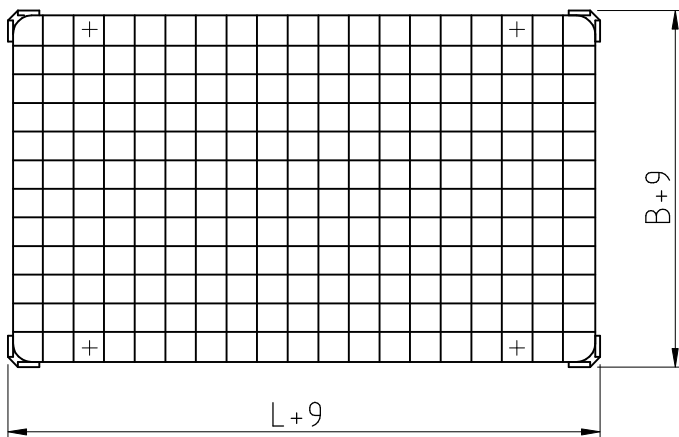
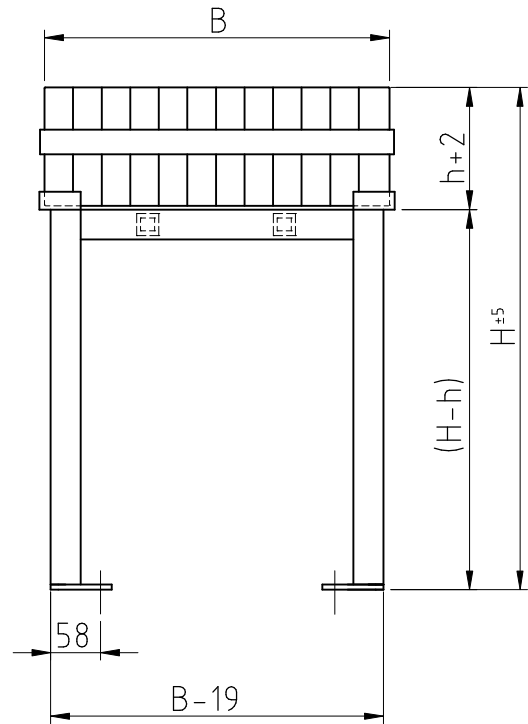
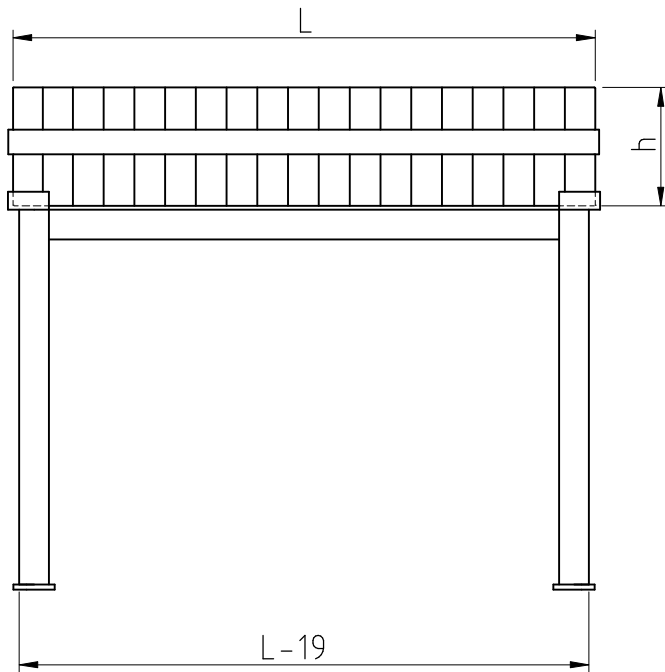
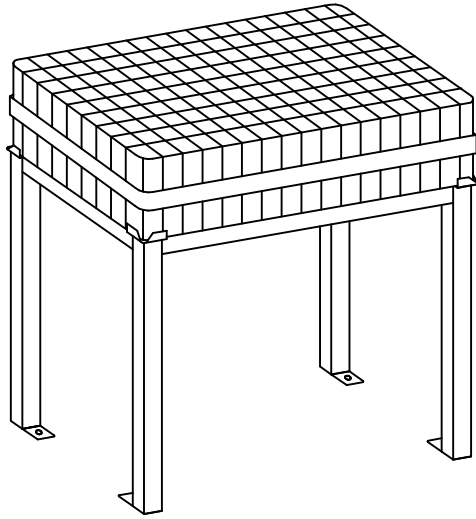


CHOPPING BLOCK

N19
35.8097



L	B	H	h
400	400	850	250
500	500	850	300
600	500	850	300
600	600	850	300
700	500	750	250
400	600	850	300
450	450	750	250