

HANGING WALL SHELVES, HANGERS N19/35.

Destination

Hanging wall shelves and hangers are destined for food accommodations on ships. The shelves and the hangers are for putting the small kitchen equipment and are provided for fastened on vertical walls.

Execution of the article

The shelves and the hangers are made of metal plates and stainless steel profiles (0H18N9). The shelves can be manufactured in sizes given in table

Discriminant

In order to designate the article, the discriminant should contain:

- size

Delivery terms

The shelves and the hangers are delivered as assembled without fastening elements to walls.

Packing for transportation

Delivery to the buyer by covered means of transport. The shelves and the hangers are packed with a foil.

Ordering

Orders should contain successively:

- name of the article
- discriminant
- No of the catalogue card

Example of designation of the article

Name of the article	Discriminant	No of catalogue card
Shelf	1000	N19/35.8083

Guarantee

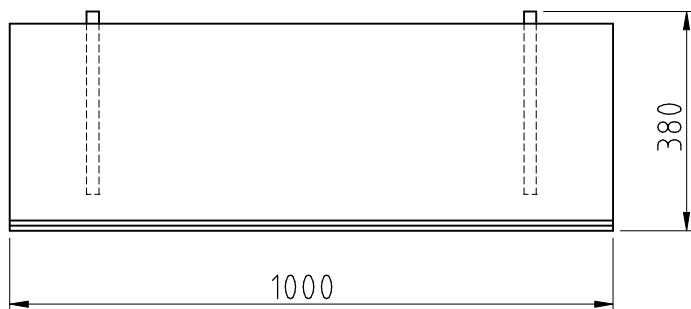
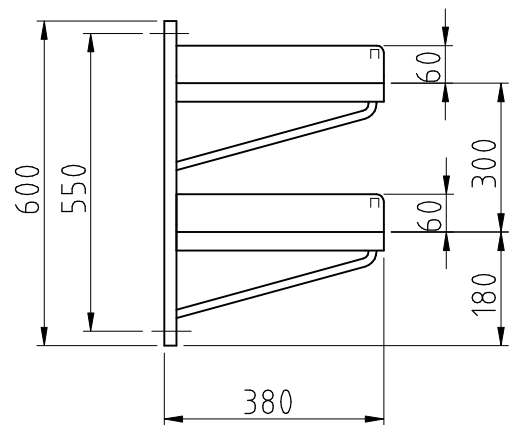
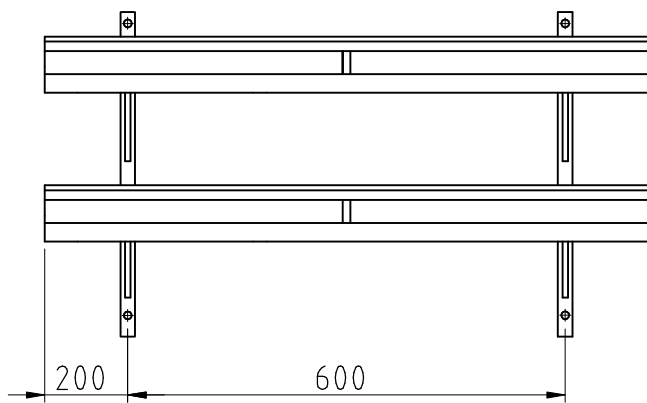
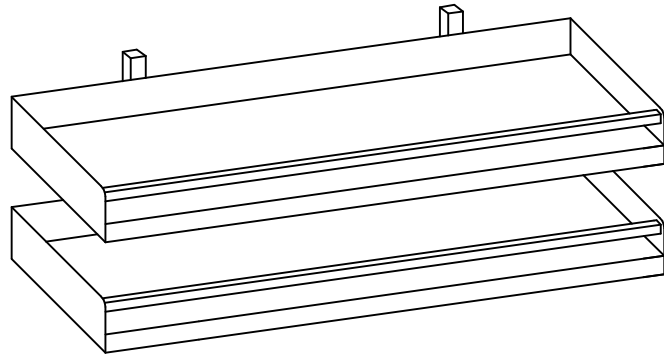
The period of guarantee- 12 months from the date of the handling it over for use on the ship.

Remark

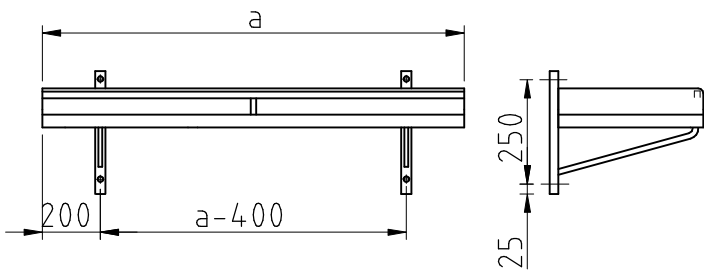
The manufacturer reserves the copy rights an article and chances of introduction of the changes resulting from the technical progress.

HANGING WALL SHELVES

N19
35.



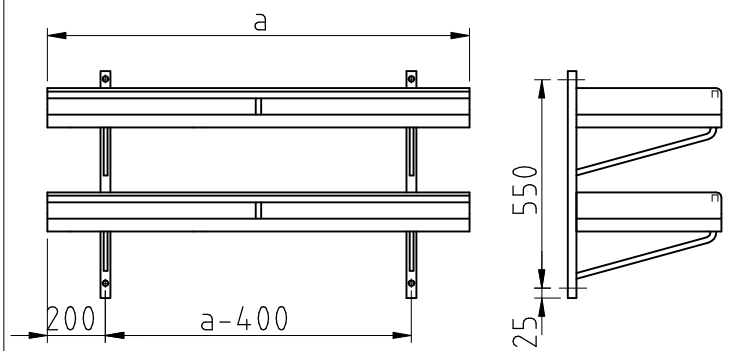
Flat wall shelf



a	Mass (kg)
1000	13.0
1100	14.0
1200	15.0
1300	16.0
1400	17.0
1500	18.0
1600	19.0

8083

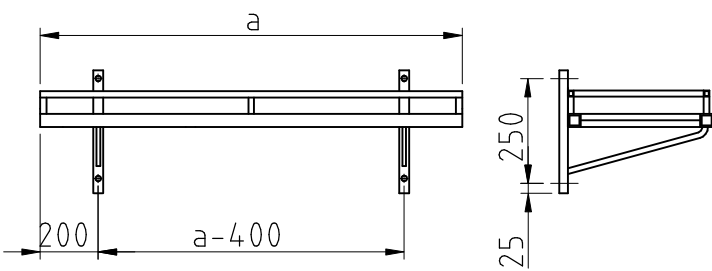
Flat wall shelf



a	Mass (kg)
1000	14.0
1100	15.0
1200	16.0
1300	17.0
1400	18.0
1500	19.0
1600	20.0

8084

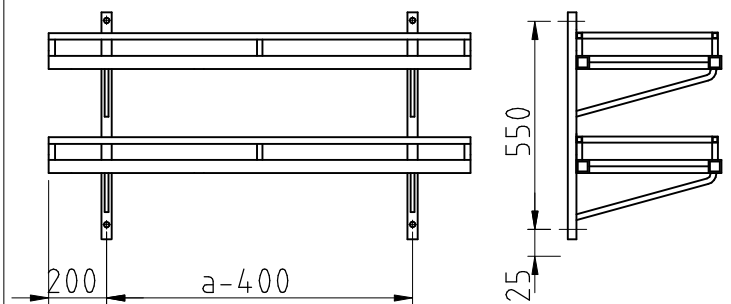
Grating wall shelf



a	Mass (kg)
1000	15.0
1100	16.0
1200	17.0
1300	18.0
1400	19.0
1500	20.0
1600	21.0

8085

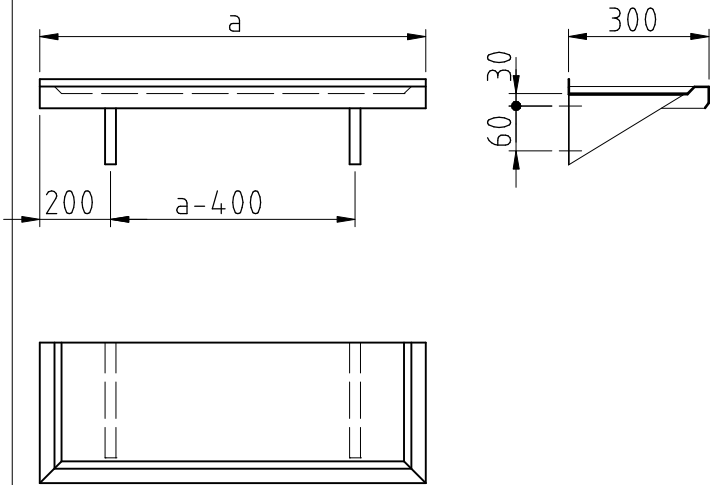
Grating wall shelf



a	Mass (kg)
1000	16.0
1100	17.0
1200	18.0
1300	19.0
1400	20.0
1500	21.0
1600	22.0

8086

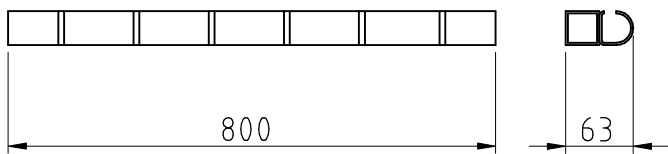
Flat shelf



a	Mass (kg)
800	6.0
1000	8.0
1200	10.0

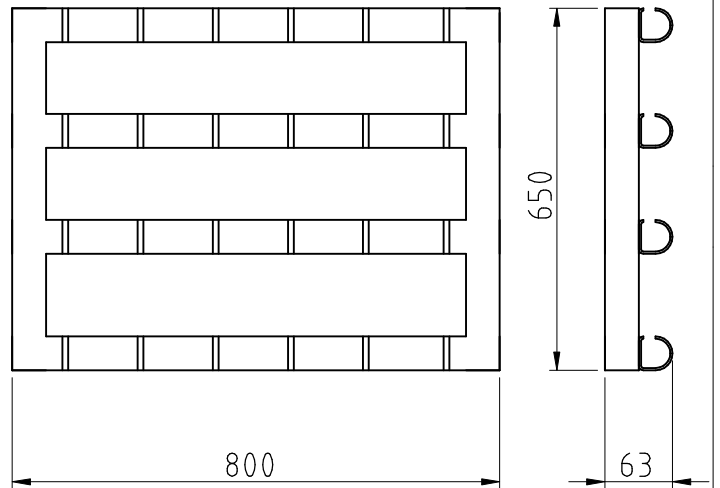
8087

Hanger for cups



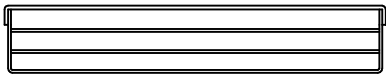
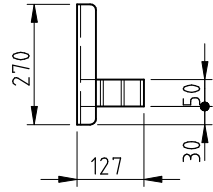
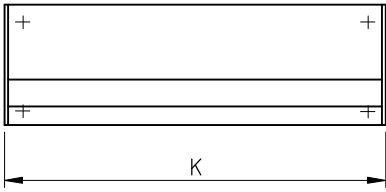
8089

Hanger for cups



8090

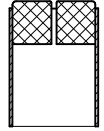
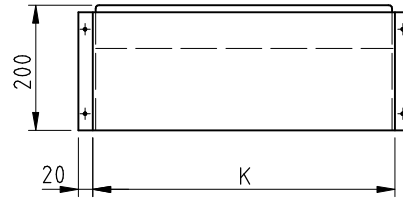
Hanger



K	Mass (kg)
400	
600	
800	
1000	

8091

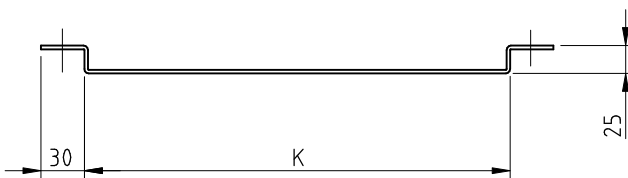
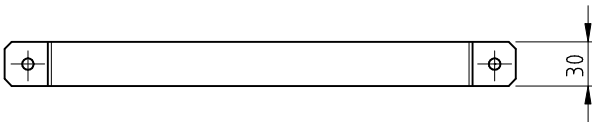
Hanger for knives



K	Mass (kg)
300	
400	
500	
600	

8092

Hanger



K	Mass (kg)
300	
400	
500	
600	

8093