

Destination

The tables for bakery are used for forming the confectionery. It is good for storage of dry loose products. The tables are provided for fastening near the vertical walls with right angles on horizontal or sloping deck with a scope of height control ± 30 mm.

Execution of the article

The tables are made of metal plates and stainless steel profiles (0H18N9).

The kneading- trough is covered with beech plate.

The tables are disassemble and can be disassembled in two sub- assemblies:

- top plate
- body (the body longer than 2000 mm is disassembled in two units).

The tables are made in sizes given in the table and in varieties relating to the body and in types relating to the top plate.

Discriminant

In order to designate the article, the discriminant should contain:

- size
- type
- variety

Delivery terms

The tables are delivered as assembled without fastening elements to the deck and walls

Packing for transportation

Delivery to the buyer by covered means of transport. The tables are packed with a foil.

Ordering

Orders should contain successively:

- name of the article
- discriminant
- N^o of the catalogue card

Example of designation of the article

Name of the article	Discriminant	N ^o of catalogue card
Table	1200-1-L	N19/35.8044

Guarantee

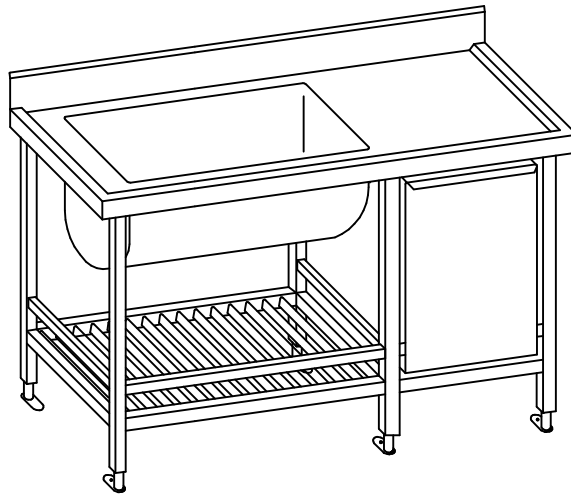
The period of guarantee- 12 months from the date of the handling it over for use on the ship.

Remark

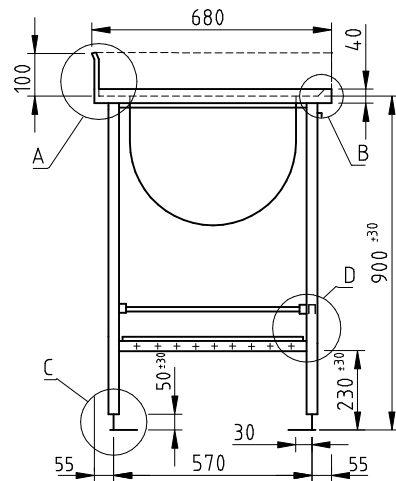
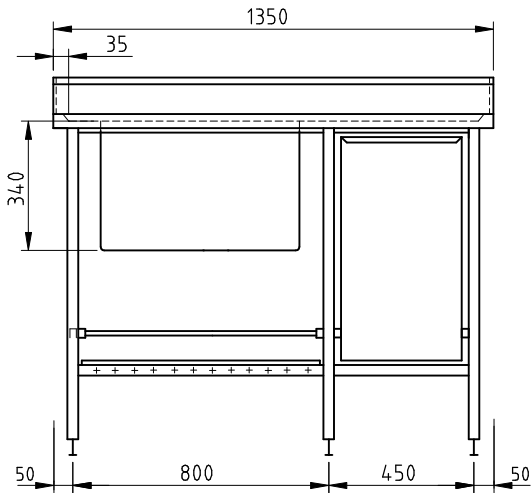
The manufacturer reserves the copy rights an article and chances of introduction of the changes resulting from the technical progress.

TABLES FOR BAKERY

N19
35.

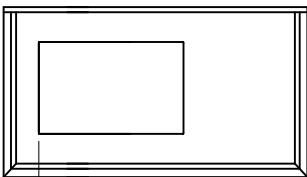


R(L)

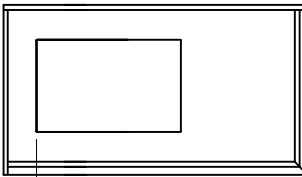


Types of plates (for variety R)

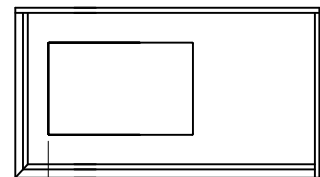
type 1



type 2

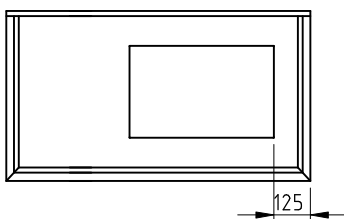


type 3

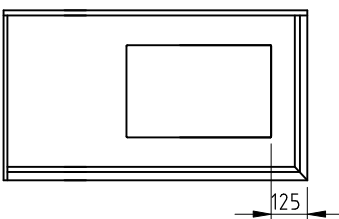


Types of plates (for variety L)

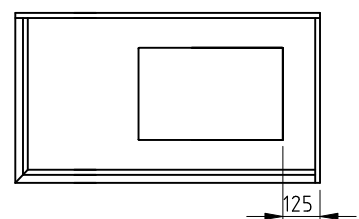
type 4

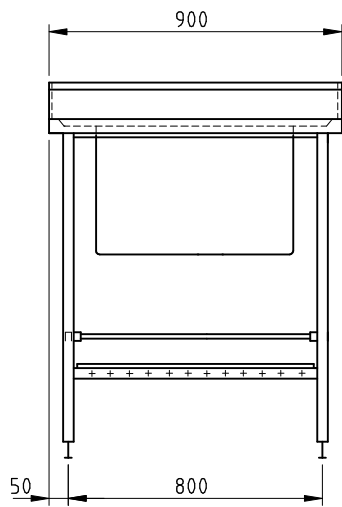


type 5



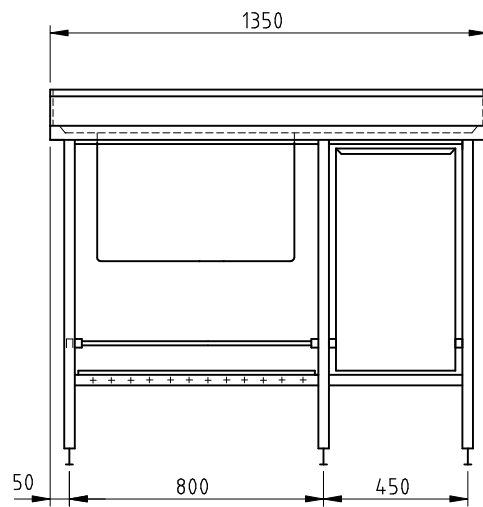
type 6





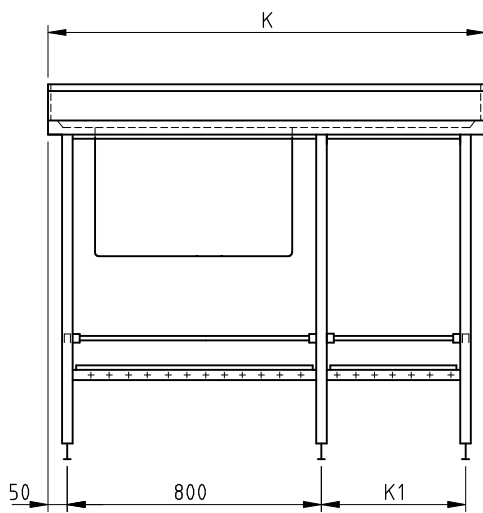
8043

R(L)



8044

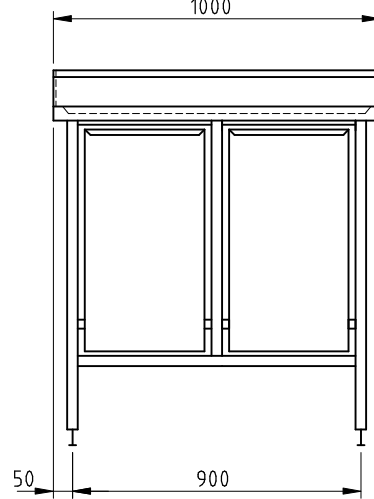
R(L)



K	K1	Mass (kg)
1300	400	66
1400	500	68
1500	600	70
1600	700	72
1700	800	74
1800	900	77
1900	1000	79
2000	1100	81

8045

1000



Types of plates

type 1

type 2

type 3



8046