

Destination

The working tables are destined for food accommodations on ships. It is well for storage of kitchen equipment. The tables are provided for fastening near the vertical walls, in the corner or between the vertical walls with the right angles on horizontal or sloping deck with a scope of height control ± 30 mm.

Execution of the article

The tables are made of metal plates and stainless steel profiles (0H18N9).
 The tables are disassemble and can be disassembled in two sub- assemblies:
 - top plate
 - body (the body longer than 2000 mm is disassembled in two units).

The tables are made in sizes given in the table and in varieties relating to the body and in types relating to the top plate.

Discriminant

In order to designate the article, the discriminant should contain:

- size
- type
- variety

Delivery terms

The tables are delivered as assembled without fastening elements to the deck and walls

Packing for transportation

Delivery to the buyer by covered means of transport. The tables are packed with a foil.

Ordering

Orders should contain successively:

- name of the article
- discriminant
- No of the catalogue card

Example of designation of the article

Name of the article	Discriminant	No of catalogue card
Table	1200-1-L	N19/35.8005

Guarantee

The period of guarantee- 12 months from the date of the handling it over for use on the ship.

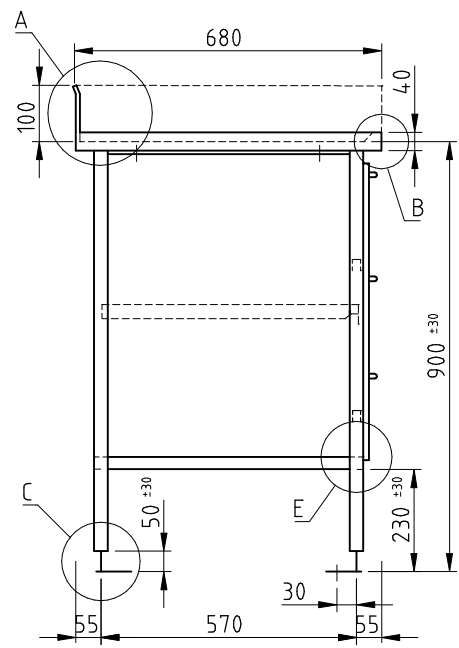
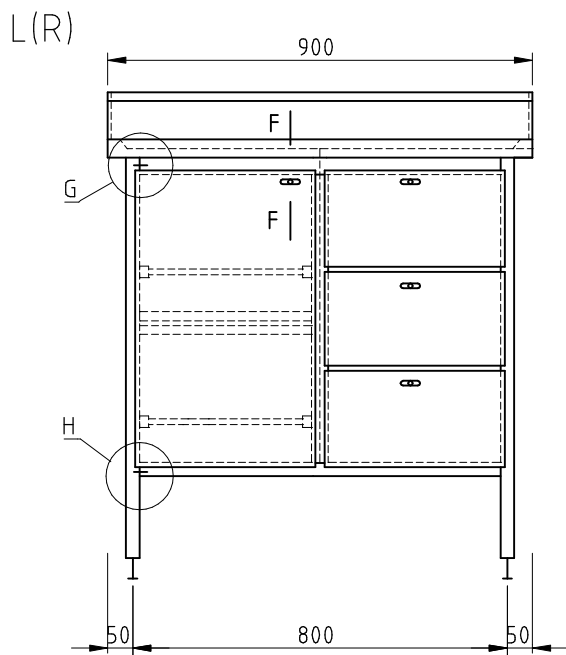
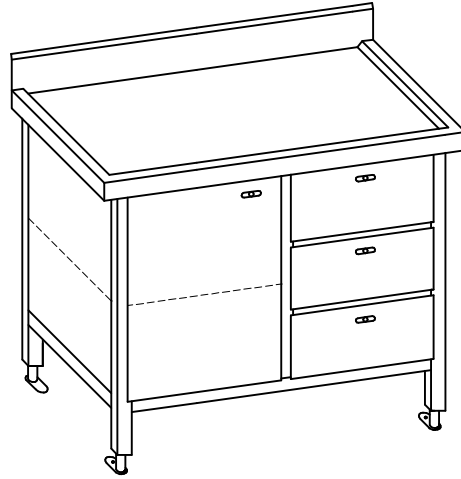
Remark

The manufacturer reserves the copy rights an article and chances of introduction of the changes resulting from the technical progress.

WORKING TABLES

N19

35.

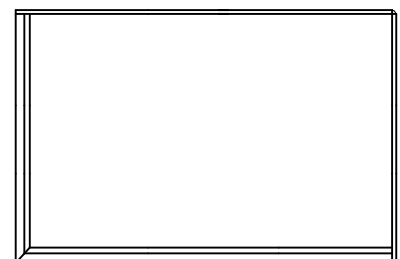
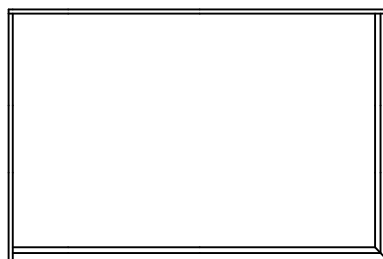
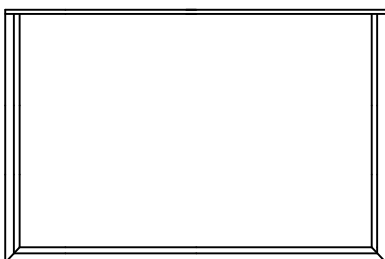


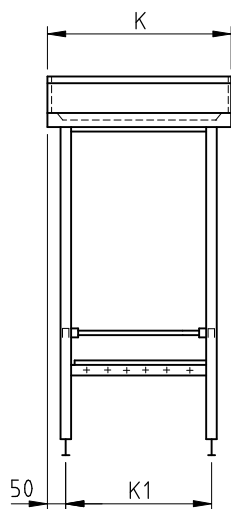
Types of plates

Type 1

Type 2

Type 3

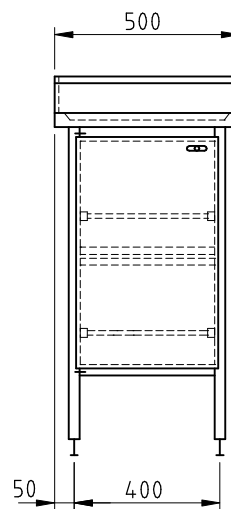




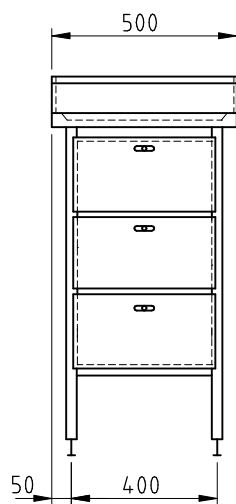
K	K1	Mass (kg)
500	400	19
600	500	20
700	600	21
800	700	23
900	800	25
1000	900	27
1100	1000	29
1200	1100	31

8001

L(R)

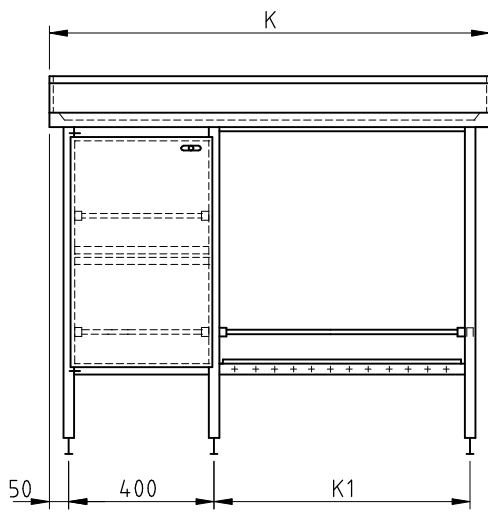


8002



8003

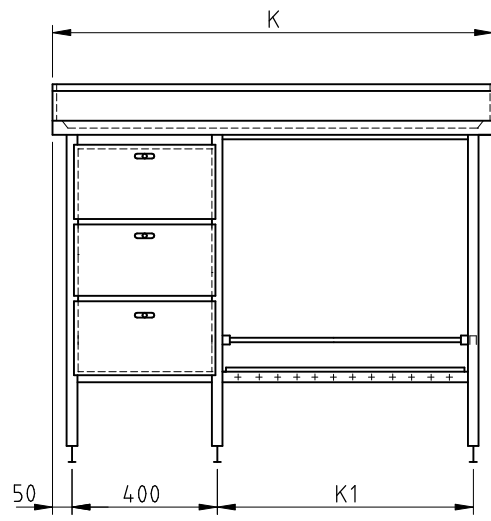
L(R)



K	K1	Mass (kg)
1000	500	41
1100	600	44
1200	700	46
1300	800	48
1400	900	50
1500	1000	52
1600	1100	54

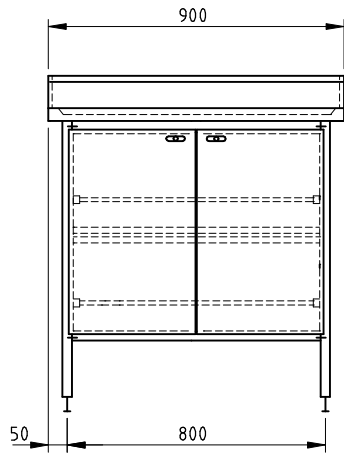
8005

L(R)



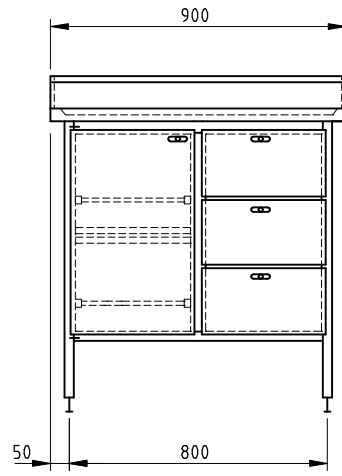
K	K1	Mass (kg)
1000	500	49
1100	600	51
1200	700	53
1300	800	55
1400	900	58
1500	1000	60
1600	1100	62

8006



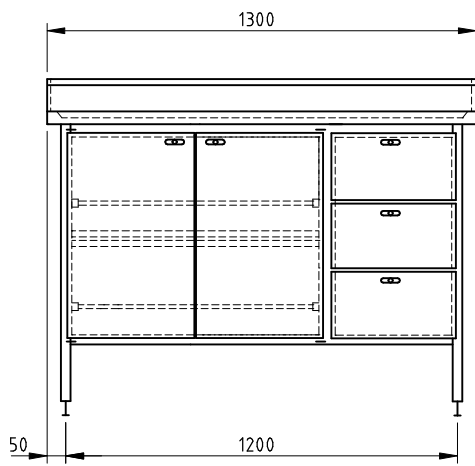
8009

L(R)



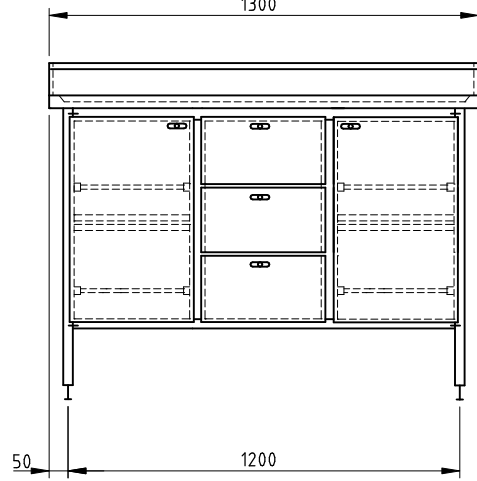
8010

L(R)



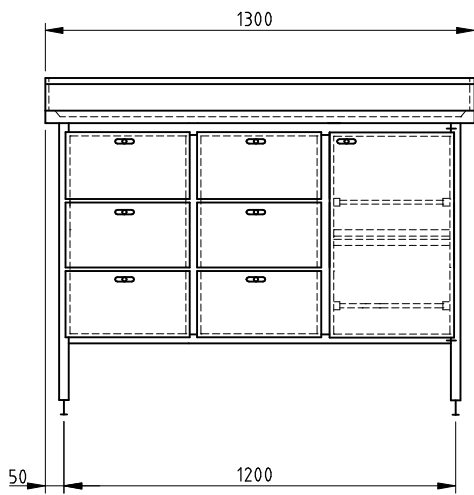
8013

1300



8014

R(L)



8015