

Destination

The tables with sink are used for food accommodations on ships. The tables are good for kitchen work and storage of kitchen equipment. The sink is to be connected to typical plumbing fittings. The tables are to be fastened near the vertical walls, in the corner or between the vertical walls with the right angles on horizontal or sloping deck with a scope of height control ± 30 mm.

Execution of the article

The tables are made of metal plates and stainless steel profiles (0H18N9).
The tables are disassemble and can be disassembled in two sub- assemblies:

- top plate
- body (the body longer than 2000 mm is disassembled in two units).

The tables are made in sizes given in the table and in varieties relating to the body and in types relating to the top plate.

Discriminant

In order to designate the article, the discriminant should contain:

- size
- type
- variety

Delivery terms

The tables are delivered as assembled without fastening elements to the deck and walls

Packing for transportation

Delivery to the buyer by covered means of transport. The tables are packed with a foil.

Ordering

Orders should contain successively:

- name of the article
- discriminant
- N^o of the catalogue card

Example of designation of the article

Name of the article	Discriminant	N ^o of catalogue card
Table	1200-1-L	N19/35.8022

Guarantee

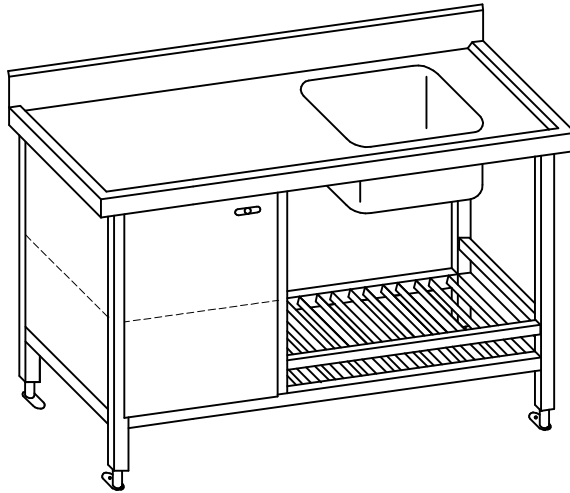
The period of guarantee- 12 months from the date of the handling it over for use on the ship.

Remark

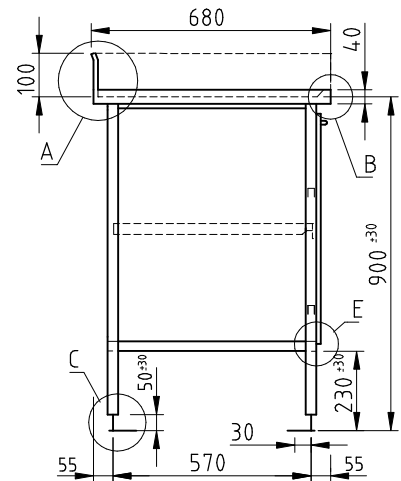
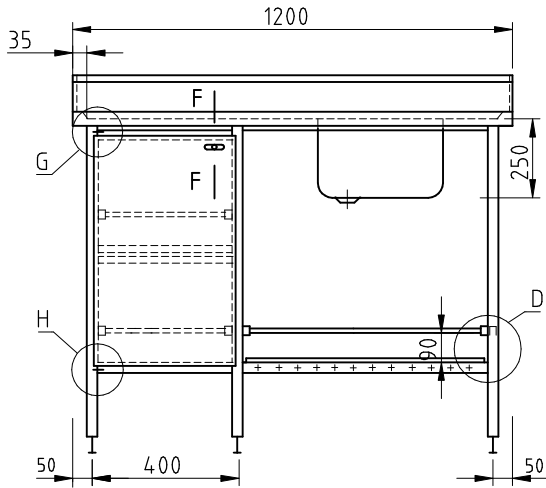
The manufacturer reserves the copy rights an article and chances of introduction of the changes resulting from the technical progress.

TABLES WITH SINK

N19
35.

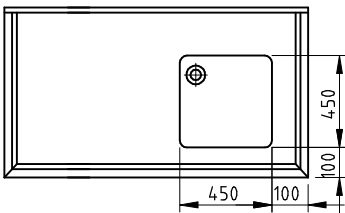


L(R)

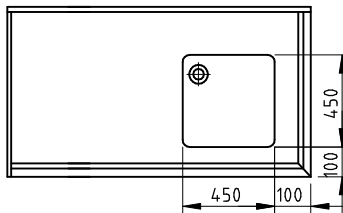


Types of plates (for variety L)

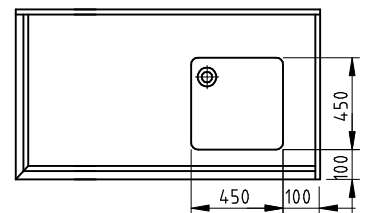
type 1



type 2

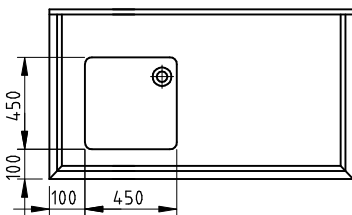


type 3

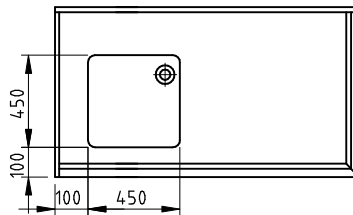


Types of plates (for variety R)

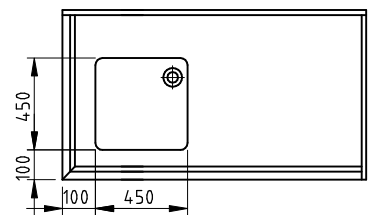
type 4

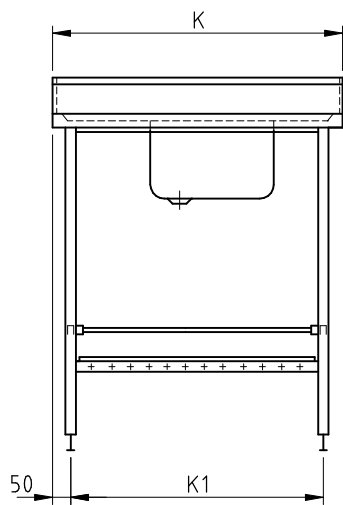


type 5



type 6

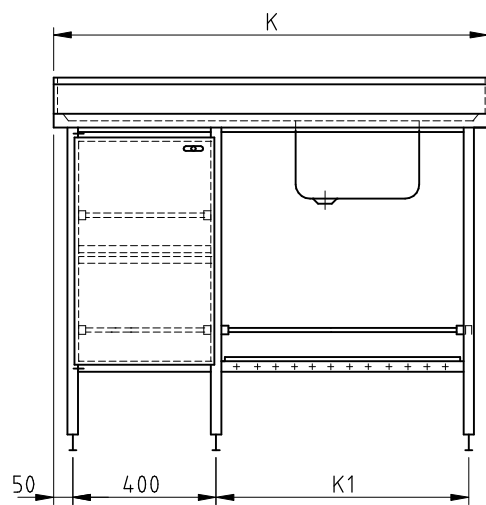




K	K1	Mass (kg)
700	600	29
800	700	31
900	800	33
1000	900	35
1100	1000	37
1200	1100	39

8021

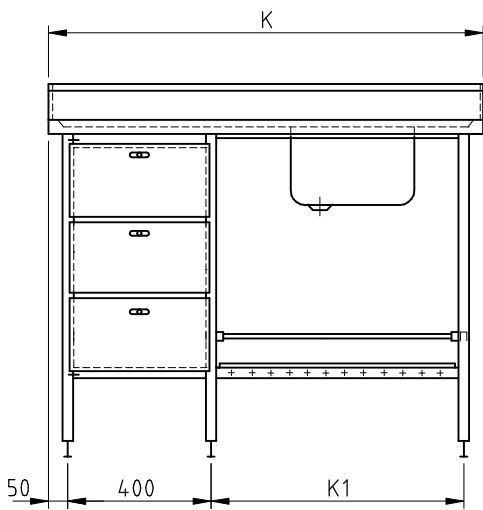
L(R)



K	K1	Mass (kg)
1100	600	57
1200	700	59
1300	800	61
1400	900	63
1500	1000	66
1600	1100	68

8022

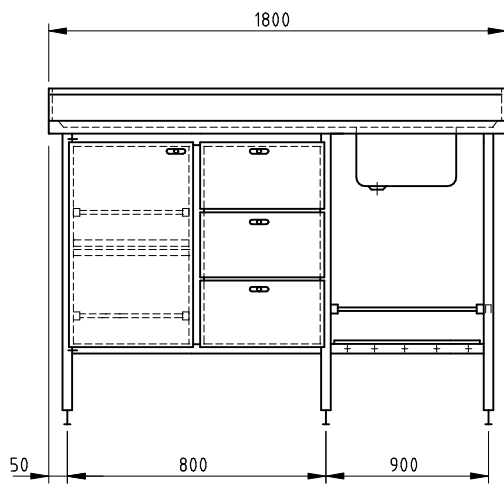
L(R)



K	K1	Mass (kg)
1100	600	65
1200	700	67
1300	800	69
1400	900	72
1500	1000	74
1600	1100	76

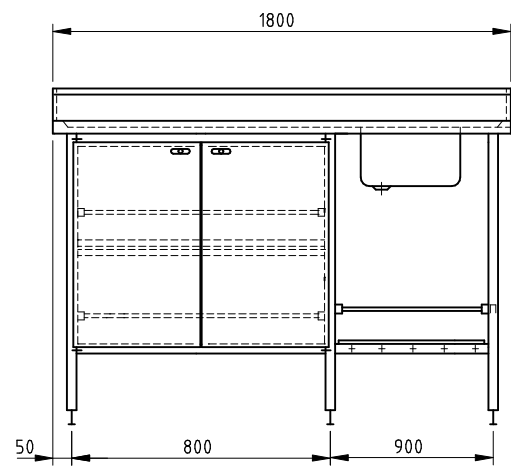
8023

L(R)



8025

L(R)



8026