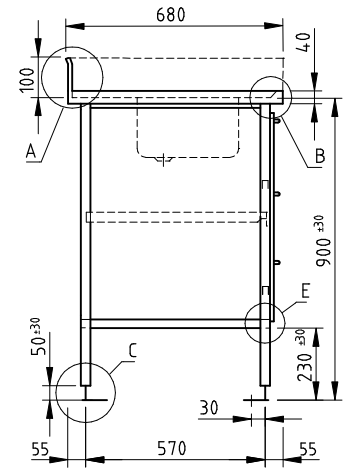
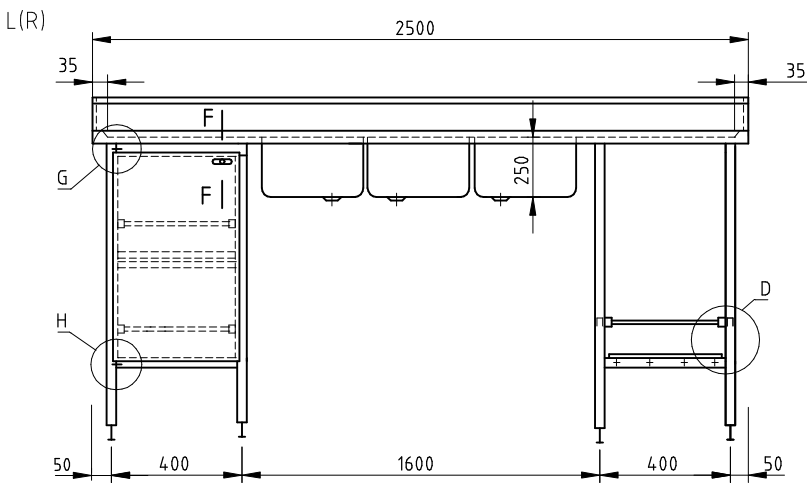
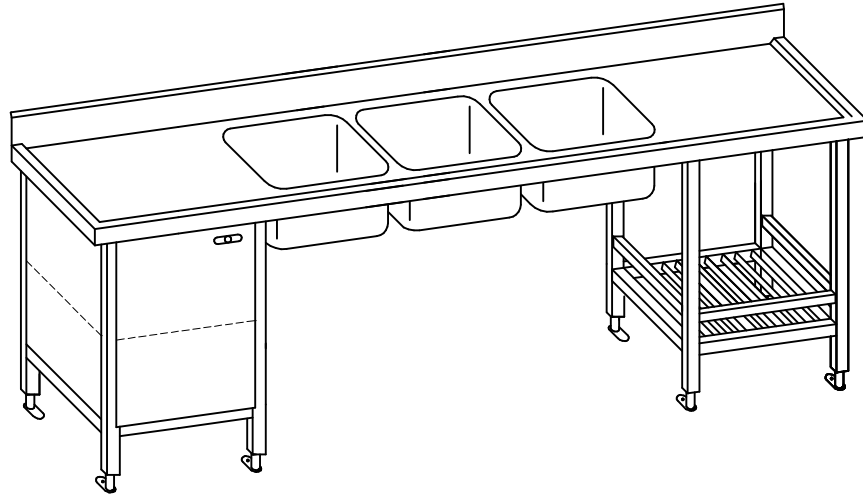


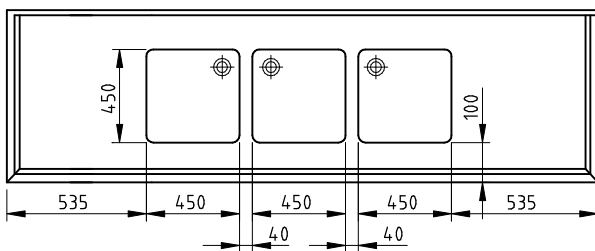
TABLES WITH THREE SINKS

N19
35.

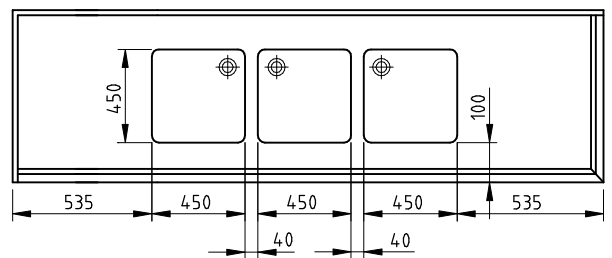


Types of plates

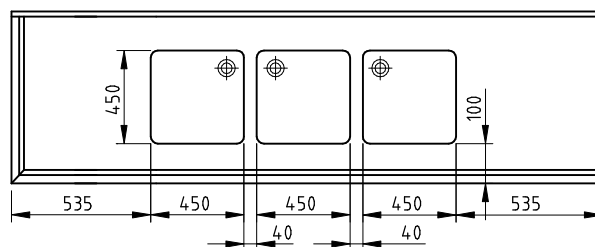
type 1

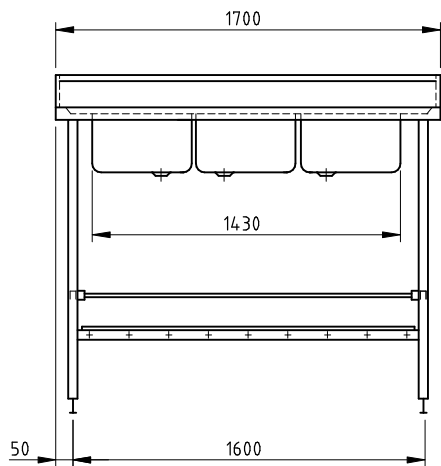


type 2



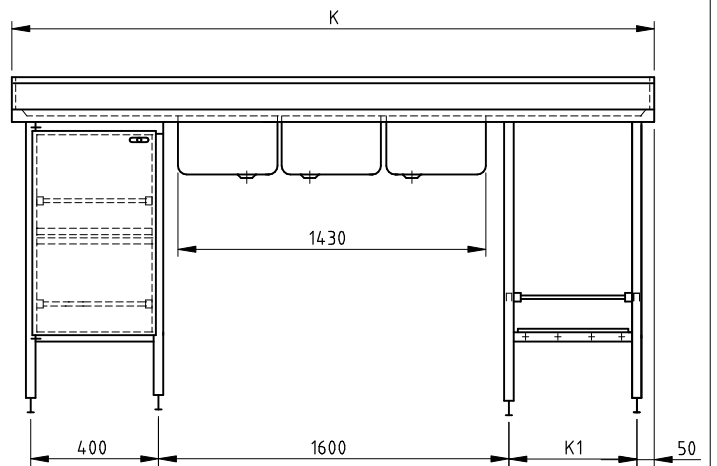
type 3





8037

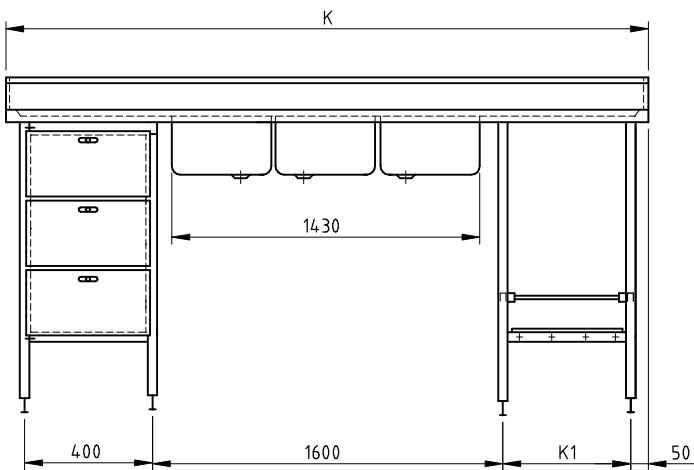
L(R)



K	K1	Mass (kg)
2500	400	86
2600	500	87
2700	600	90
2800	700	91
2900	800	92
3000	900	94
3100	1000	96

8038

L(R)



K	K1	Mass (kg)
2500	400	94
2600	500	95
2700	600	98
2800	700	99
2900	800	100
3000	900	112
3100	1000	114

8039