

**Destination**

The hanging wall cupboards are destined for food accommodations on ships. These cupboards are good for storage of small kitchen equipment and spices. These cupboards can be fastened on vertical walls.

**Execution of the article**

The hanging cupboards are made of sheet stainless steel (0H18N9). The hanging cupboards can be manufactured in sizes given in the table and in the following varieties:

P- right- hand cupboard, right door,      L- left- hand cupboard, left door

**Discriminant**

In order to designate the article, the discriminant should contain:

- name of the article
- variety

**Delivery terms**

The hanging cupboards are delivered as assembled without fastening elements to the deck and walls.

**Packing for transportation**

Delivery to the buyer by covered means of transport. The cupboards are packed with a foil.

**Ordering**

Orders should contain successively:

- name of the article
- discriminant
- No of the catalogue card

**Example of designation of the article**

Name of the article	Discriminant	No of catalogue card
Cupboard	1000x600	N19/35.8049

**Guarantee**

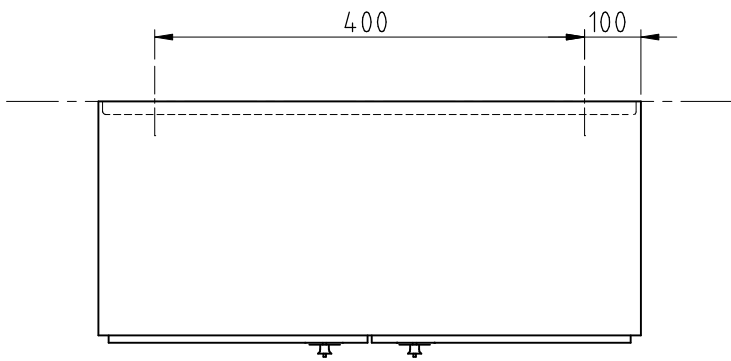
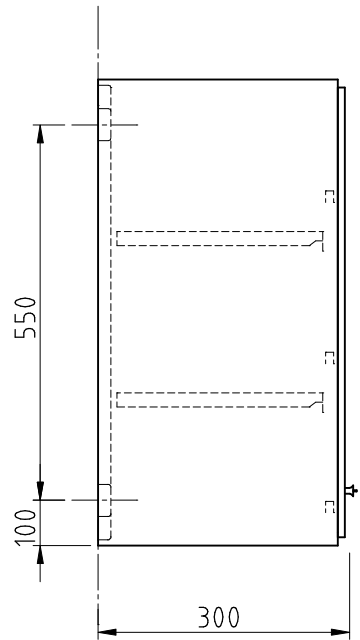
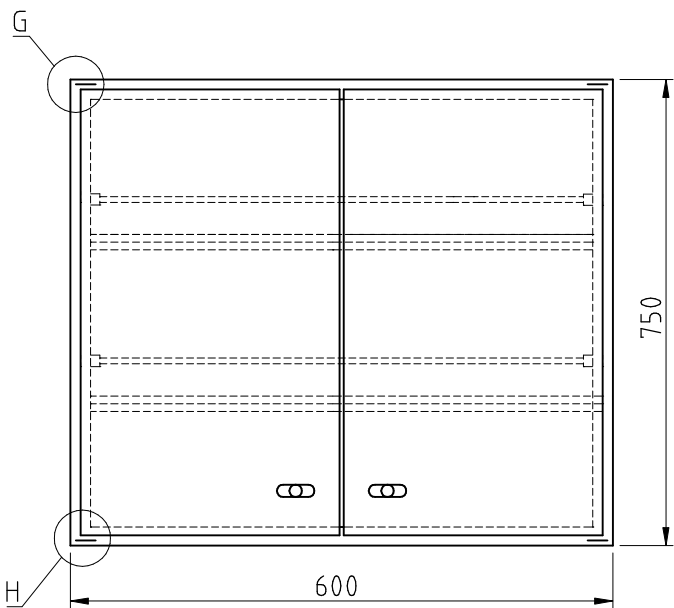
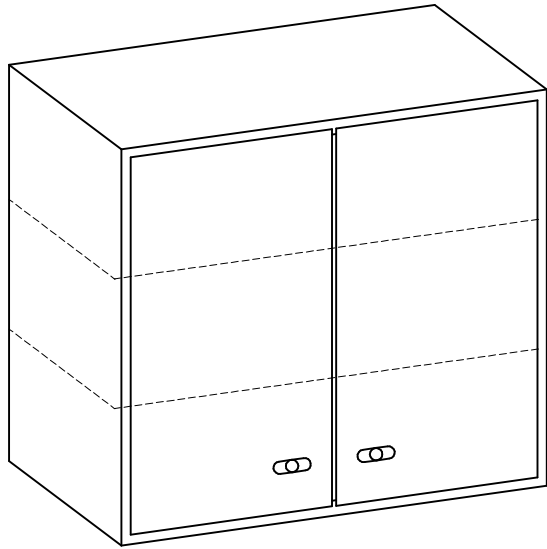
The period of guarantee- 12 months from the date of the handling it over for use on the ship.

**Remark**

The manufacturer reserves the copy rights an article and chances of introduction of the changes resulting from the technical progress.

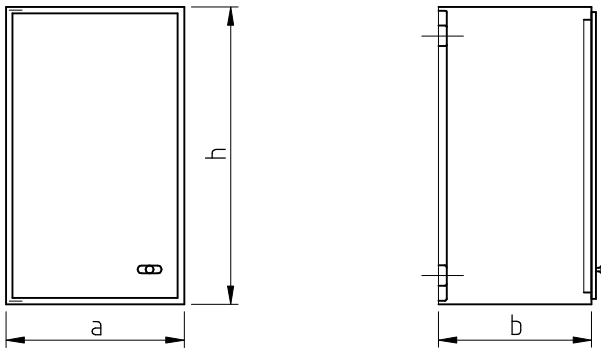
# HANGING CUPBOARDS

N19  
35. ....



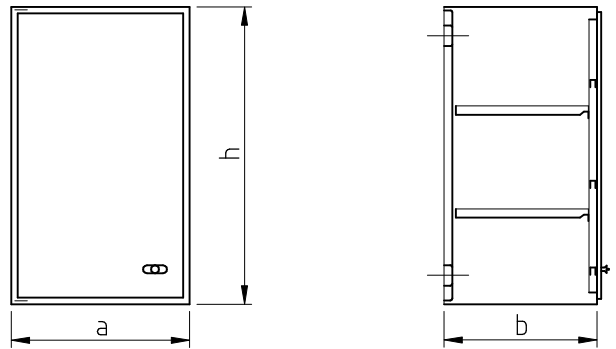
### HANGING CUPBOARDS

L(R)



### HANGING CUPBOARDS

L(R)



a	300	300	300	300	400	400	400	400	500	500	500	500
b	300	300	400	400	300	300	400	400	300	300	400	400
h	750	600	750	600	750	600	750	600	750	600	750	600
Mass (kg)	8.5	9.0	8.5	9.5	10.5	11.5	11.0	12.5	13.5	15.5	13.0	16.0

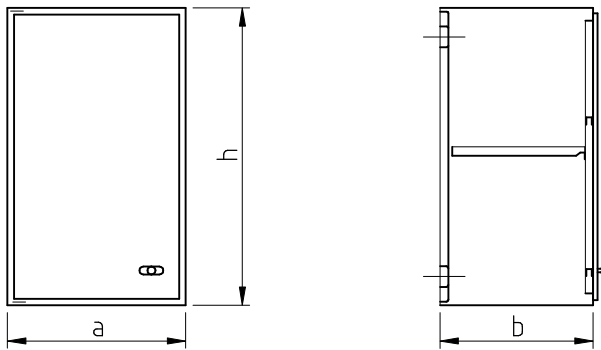
a	300	300	300	300	400	400	400	400	500	500	500	500
b	300	300	400	400	300	300	400	400	300	300	400	400
h	750	600	750	600	750	600	750	600	750	600	750	600
Mass (kg)	9.5	10.0	9.5	10.5	11.5	12.5	12.0	13.5	14.5	16.5	14.0	17.0

8049

8050

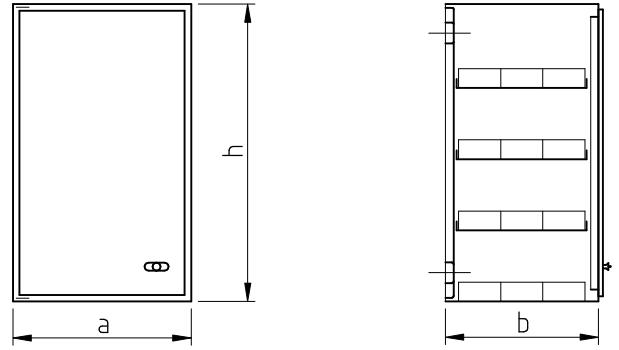
### HANGING CUPBOARDS

L(R)



### CUPBOARD FOR SPICES

L(R)



for h=750- 3 shelves  
for h=600- 2 shelves

a	300	300	300	300	400	400	400	400	500	500	500	500
b	300	300	400	400	300	300	400	400	300	300	400	400
h	750	600	750	600	750	600	750	600	750	600	750	600
Mass (kg)	9.0	9.5	9.0	10.0	11.0	12.0	11.5	13.0	14.0	16.0	13.5	16.5

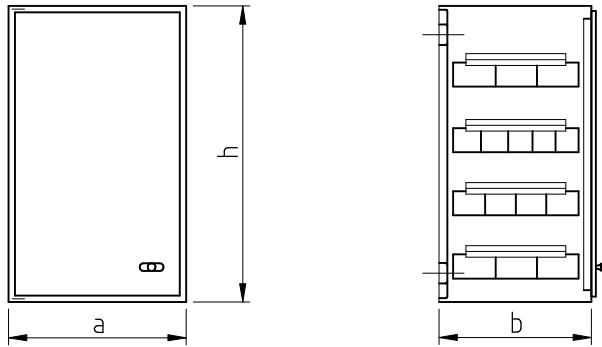
a	300	300	300	300	400	400	400	400	500	500	500	500
b	300	300	400	400	300	300	400	400	300	300	400	400
h	750	600	750	600	750	600	750	600	750	600	750	600
Mass (kg)	10.0	10.5	10.0	11.0	12.0	13.0	13.5	14.0	15.0	17.0	14.5	17.5

8051

8052

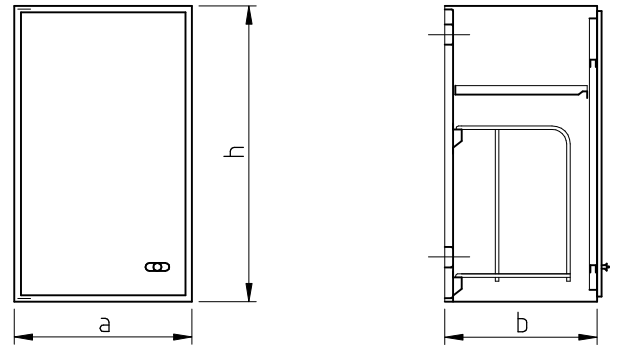
### CUPBOARD FOR CUPS, GLASSES

L(R)



### CUPBOARD FOR PLATES

L(R)



a	300	300	300	300	400	400	400	400	500	500	500	500
b	300	300	400	400	300	300	400	400	300	300	400	400
h	750	600	750	600	750	600	750	600	750	600	750	600
Mass (kg)	9.0	9.5	9.0	10.0	11.0	12.0	11.5	13.0	14.0	16.0	13.5	17.0

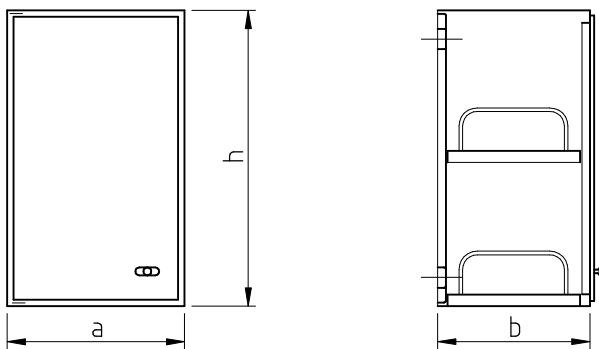
a	300	300	300	300	400	400	400	400	500	500	500	500
b	300	300	400	400	300	300	400	400	300	300	400	400
h	750	600	750	600	750	600	750	600	750	600	750	600
Mass (kg)	10.0	10.5	10.0	11.0	12.0	13.0	12.5	14.0	15.0	17.0	14.5	17.5

8053

8054

### CUPBOARD FOR DISHES AND VASES

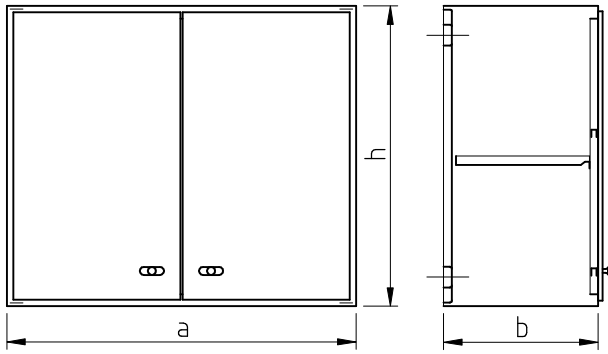
L(R)



a	400	400	500	500
b	400	400	400	400
h	750	600	750	600
Mass (kg)	13.5	12.0	17.5	14.0

8055

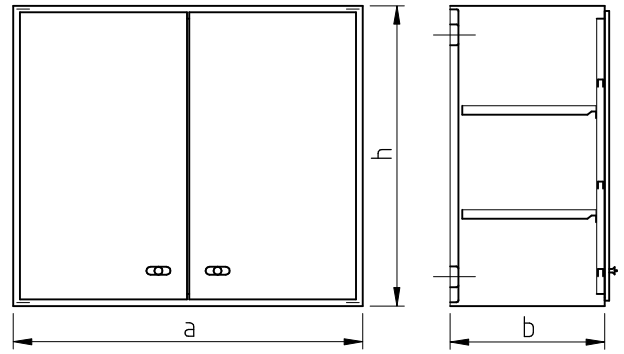
### HANGING CUPBOARDS



a	600	600	600	600	800	800	800	800	1000	1000	1000	1000
b	300	300	400	400	300	300	400	400	300	300	400	400
h	750	600	750	600	750	600	750	600	750	600	750	600
Mass (kg)	19.0	18.0	20.0	18.0	24.0	22.0	26.0	23.0	32.0	28.0	33.0	27.0

8057

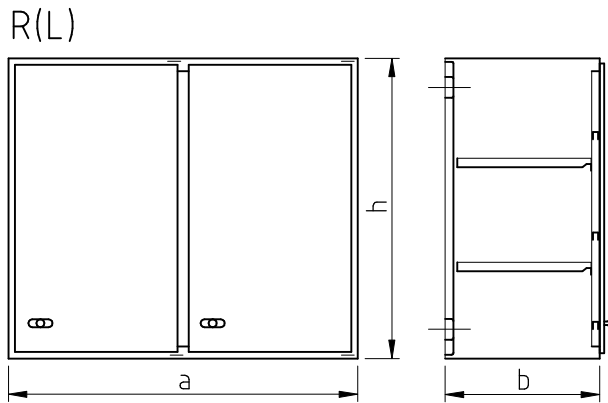
### HANGING CUPBOARDS



a	600	600	600	600	800	800	800	800	1000	1000	1000	1000
b	300	300	400	400	300	300	400	400	300	300	400	400
h	750	600	750	600	750	600	750	600	750	600	750	600
Mass (kg)	20.0	19.0	21.0	19.0	25.0	23.0	27.0	24.0	32.0	29.0	34.0	28.0

8058

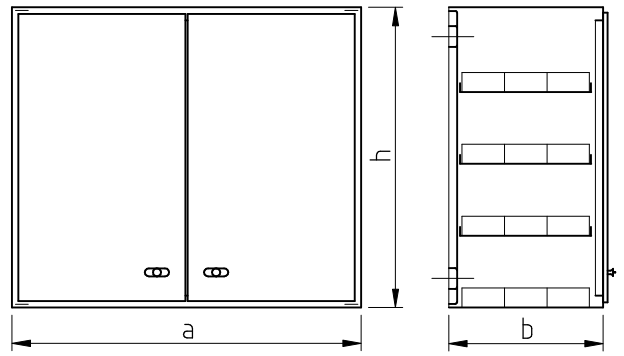
### HANGING CUPBOARDS



a	600	600	600	600	800	800	800	800	1000	1000	1000	1000
b	300	300	400	400	300	300	400	400	300	300	400	400
h	750	600	750	600	750	600	750	600	750	600	750	600
Mass (kg)	20.0	19.0	21.0	19.0	25.0	23.0	27.0	24.0	32.0	29.0	34.0	28.0

8059

### CUPBOARDS FOR SPICES

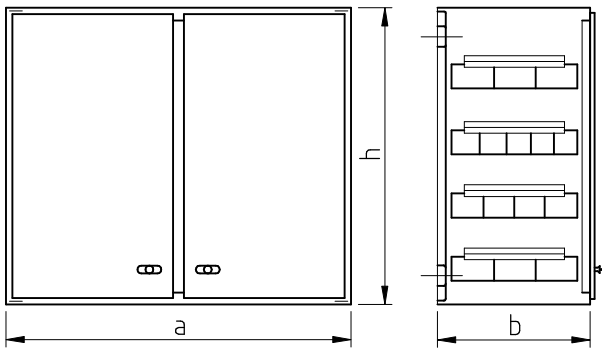


for h=750- 3 shelves  
for h=600- 2 shelves

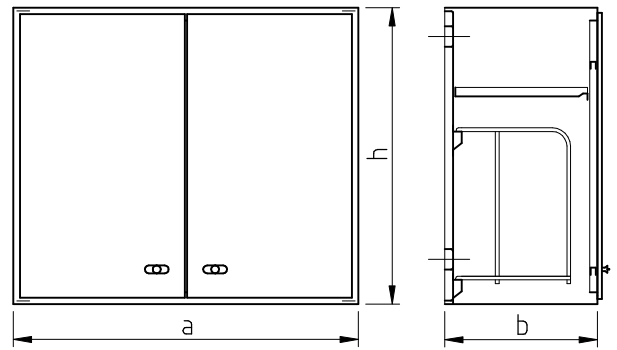
a	600	600	600	600	800	800	800	800	1000	1000	1000	1000
b	300	300	400	400	300	300	400	400	300	300	400	400
h	750	600	750	600	750	600	750	600	750	600	750	600
Mass (kg)	22.0	21.0	23.0	21.0	27.0	25.0	29.0	26.0	34.0	31.0	36.0	30.0

8060

### CUPBOARD FOR CUPS, GLASSES



### CUPBOARD FOR PLATES

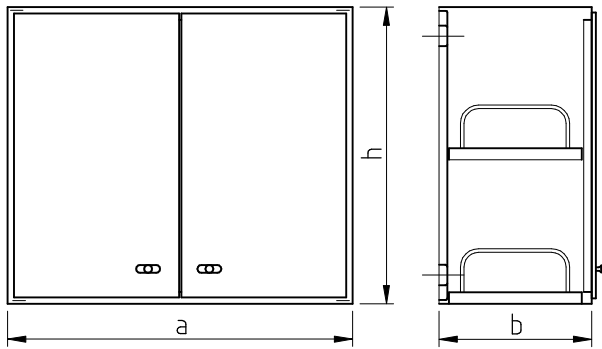


a	600	600	600	600	800	800	800	800	1000	1000	1000	1000	a	600	600	600	600	800	800	800	800	1000	1000	1000	1000
b	300	300	400	400	300	300	400	400	300	300	400	400	b	300	300	400	400	300	300	400	400	300	300	400	400
h	750	600	750	600	750	600	750	600	750	600	750	600	h	750	600	750	600	750	600	750	600	750	600	750	600
Mass (kg)	19.0	16.0	23.0	20.0	23.0	20.0	27.0	24.0	27.0	24.0	31.0	27.0	Mass (kg)	21.0	20.0	22.0	20.0	26.0	24.0	28.0	25.0	33.0	30.0	34.0	32.0

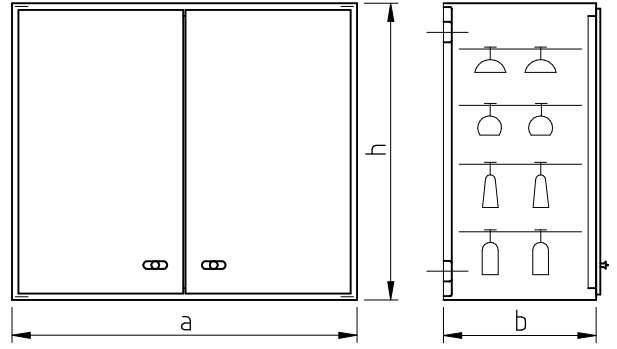
8061

8062

### CUPBOARD FOR DISHES AND VASES



### CUPBOARD FOR GLASSES



a	800	800	1000	1000
b	400	400	400	400
h	750	600	750	600
Mass (kg)	27.0	24.0	34.0	31.0

a	600	600	600	600	800	800	800	800	1000	1000	1000	1000
b	300	300	400	400	300	300	400	400	300	300	400	400
h	750	600	750	600	750	600	750	600	750	600	750	600
Mass (kg)	19.6	16.6	23.0	20.0	23.0	20.0	27.0	24.0	27.0	24.0	31.0	27.0

8063

8064