

Destination

The cupboards are destined for equip of kitchen accommodations on ships. It is well for storage of small kitchen equipment and protective suits. The cupboards are provided for fastening near the vertical walls, or between the vertical walls about the right angles on horizontal or sloping deck with a scope of height control ± 30 mm.

Execution of the article

The cupboards are made of metal plates and stainless steel profiles (0H18N9). The cupboards are made in accordance with sizes given in table and in the following varieties:

P- right- hand cupboard, right door, L- left- hand cupboard, left door

Discriminant

In order to designate the article, the discriminant should contain:

- name of the article
- variety

Delivery terms

The cupboards are delivered as assembled without fastening elements to the deck and walls.

Packing for transportation

Delivery to the buyer by covered means of transport. The cupboards are packed with a foil.

Ordering

Orders should contain successively:

- name of the article
- discriminant
- No of the catalogue card

Example of designation of the article

Name of the article	Discriminant	No of catalogue card
Cupboard	600x600x1800-P	N19/35.8079

Guarantee

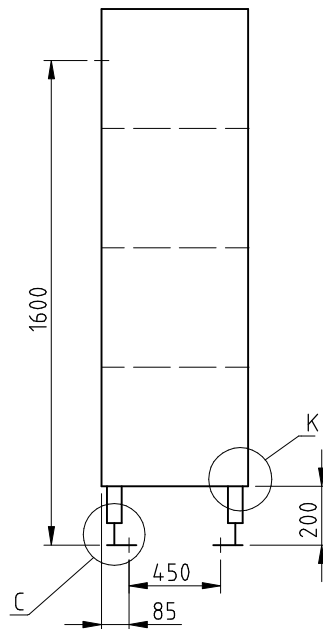
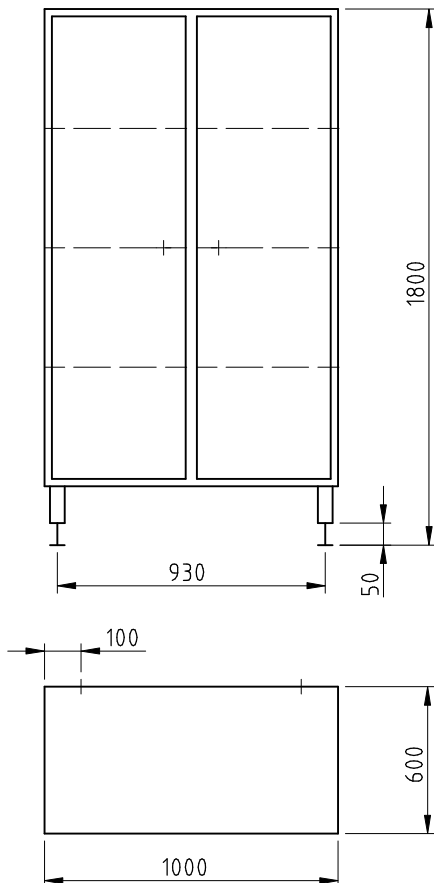
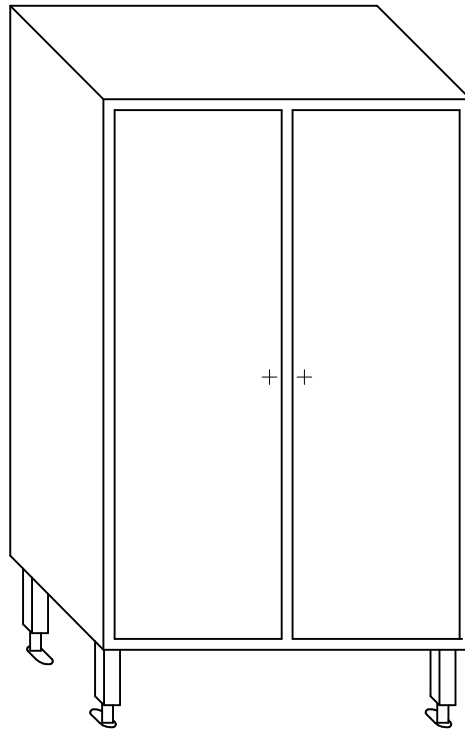
The period of guarantee- 12 months from the date of the handling it over for use on the ship.

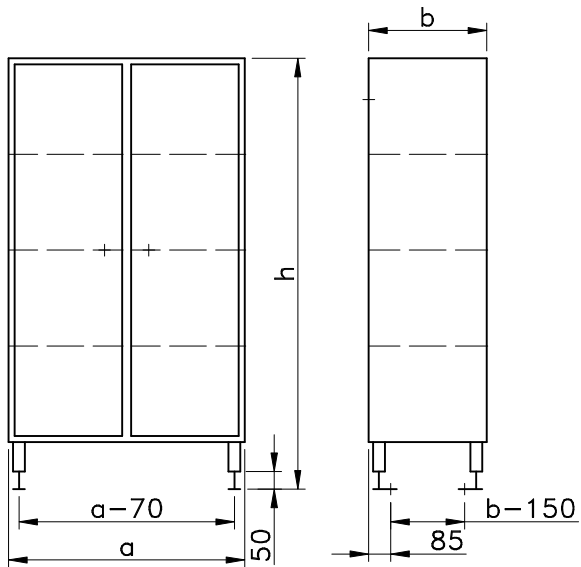
Remark

The manufacturer reserves the copy rights an article and chances of introduction of the changes resulting from the technical progress.

CUPBOARDS

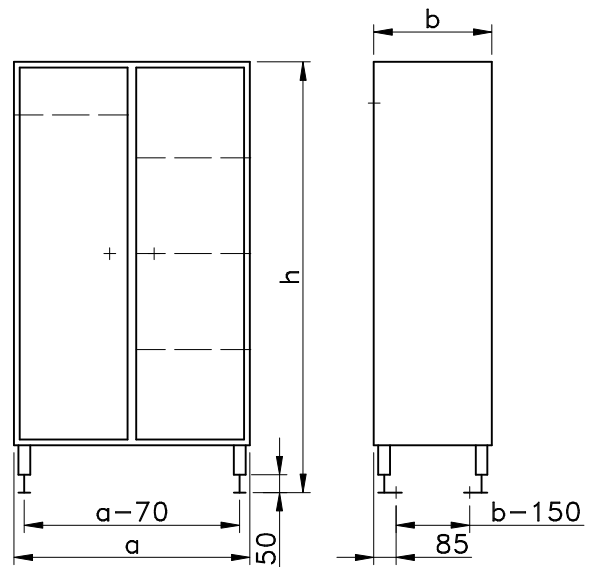
N19
35.





a	b	h	Mass
1200	600	2100	117
1200	600	1800	107
1000	600	2100	97
1000	600	1800	87
800	600	2100	77
800	600	1800	67

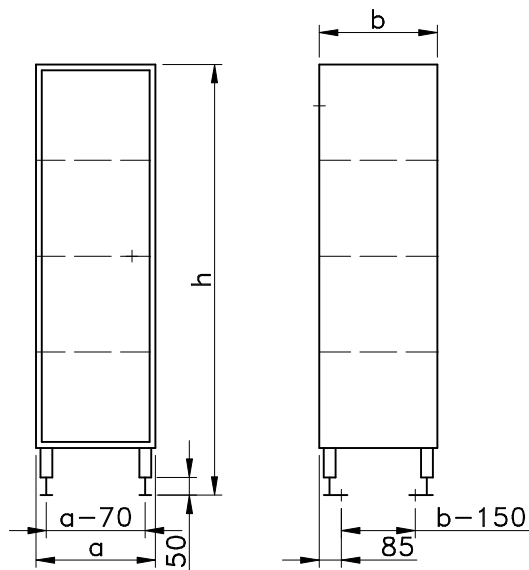
8077



a	b	h	Mass
1200	600	2100	117
1200	600	1800	107
1000	600	2100	97
1000	600	1800	87
800	600	2100	77
800	600	1800	67

8078

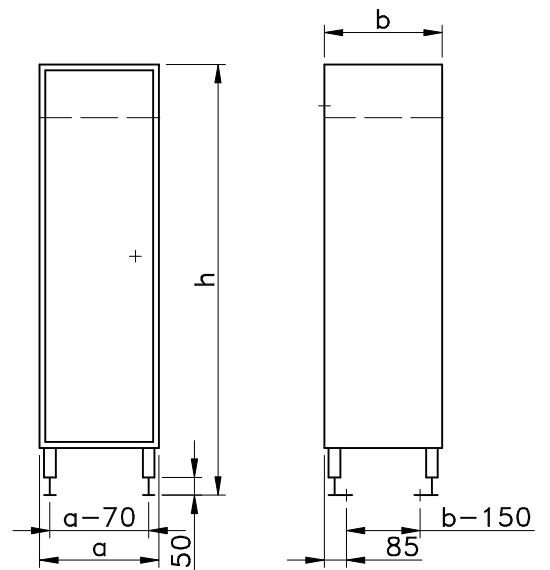
L(R)



a	b	h	Mass
600	600	2100	58
600	600	1800	53
500	600	2100	48
500	600	1800	43
400	600	2100	37
400	600	1800	32

8079

L(R)



a	b	h	Mass
600	600	2100	58
600	600	1800	53
500	600	2100	48
500	600	1800	43
400	600	2100	37
400	600	1800	32

8080