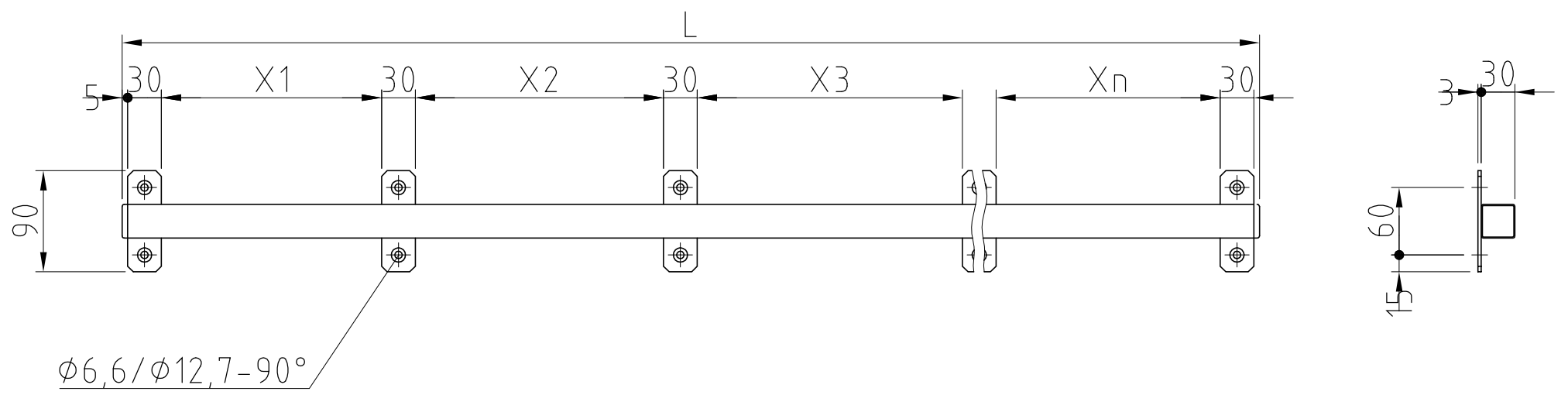
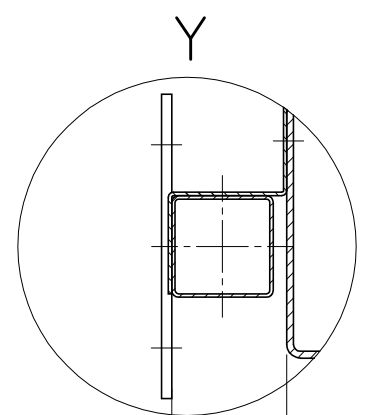
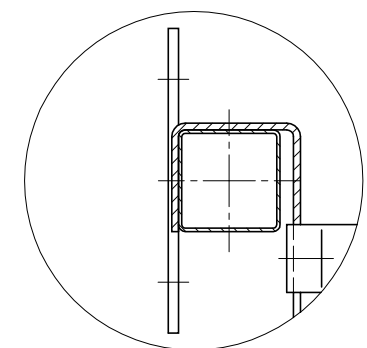
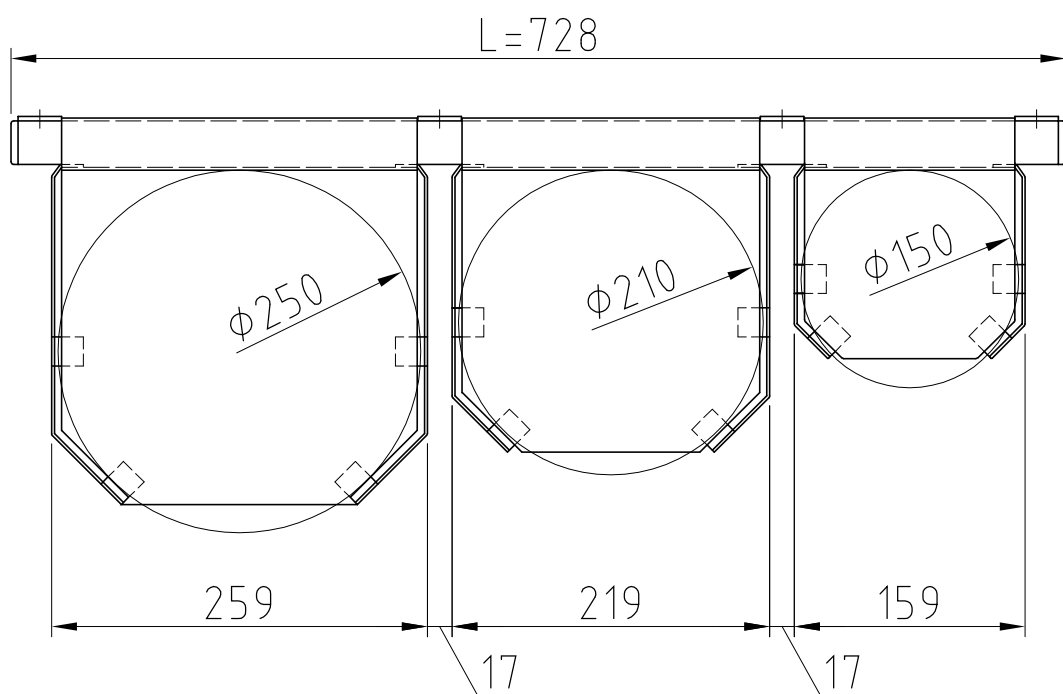
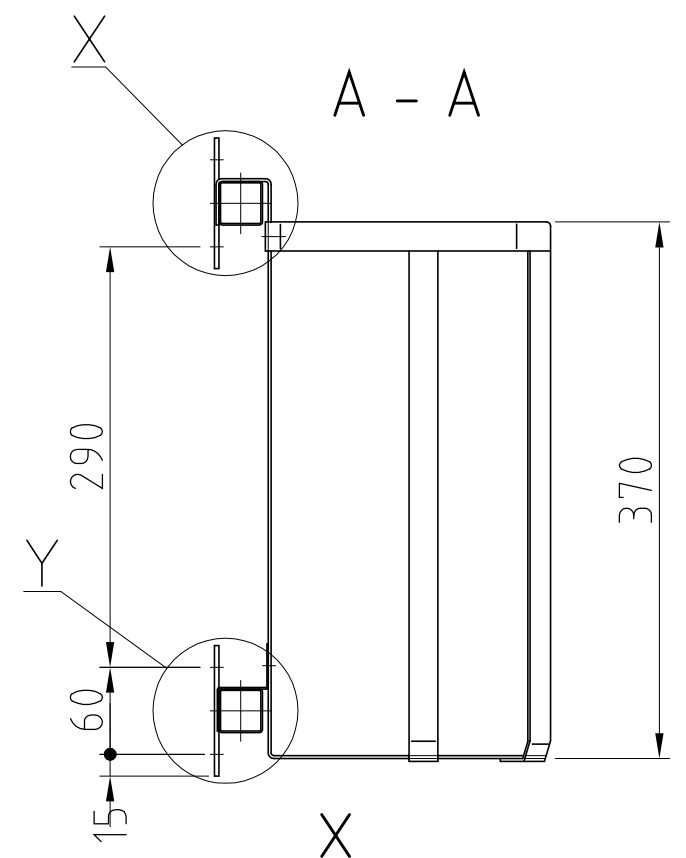
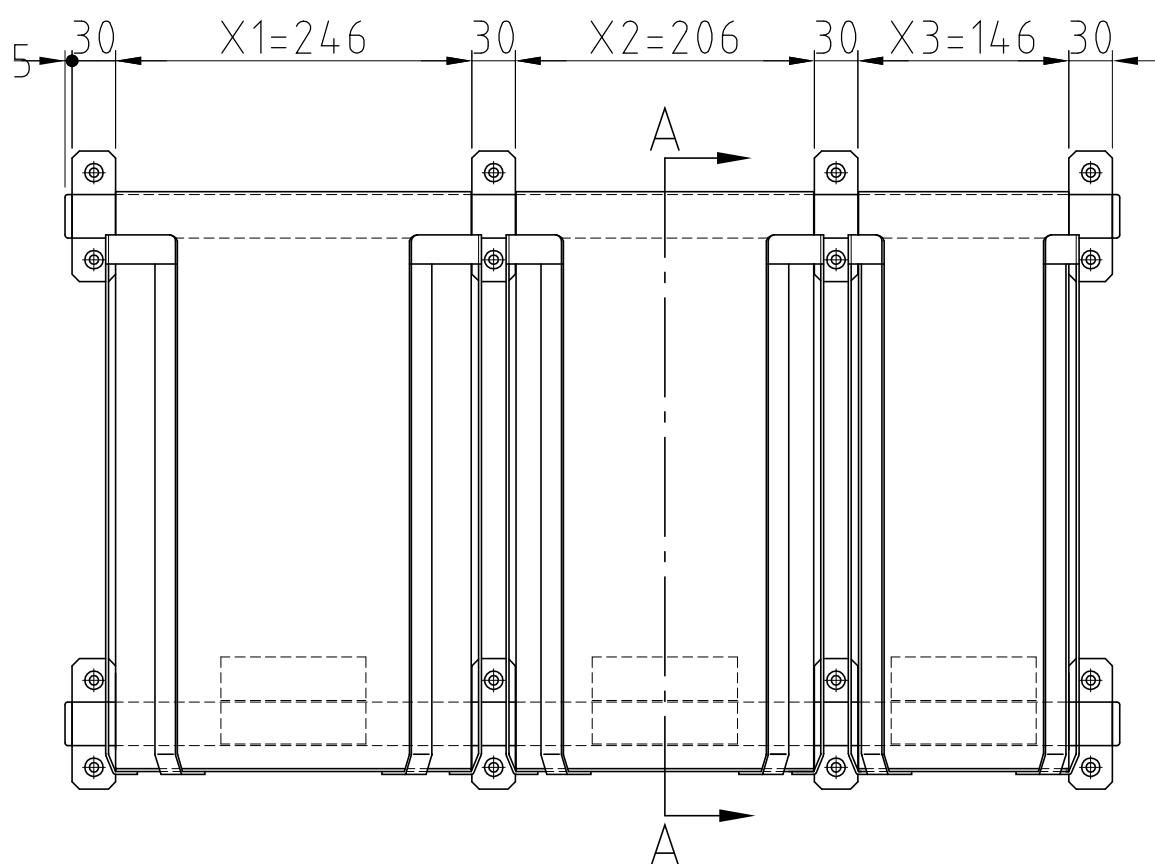


HANGER FOR PLATE BASKETS

N19
35.8094



The way of hanging of baskets for plates N19/35.8099 ($D = \phi 150, \phi 210, \phi 250$) on hangers no. N19/35.8094



In case of order please define diameter and number of baskets for plates

plate ϕD	$\phi 120$	$\phi 150$	$\phi 160$	$\phi 170$	$\phi 190$	$\phi 200$	$\phi 210$	$\phi 220$	$\phi 240$	$\phi 250$	$\phi 260$	$\phi 280$	$\phi 310$
X	116	146	156	166	186	196	206	216	236	246	256	276	306