

# HOSPITAL FURNITURE



- Hospital bed (without mattress) 1980x800x860-III Price: 999,75 Eur/pcs
- Test bed 2000x800x650-III Price: 501,25 Eur/pcs
- Bedside table P/L-400x350x900-III Price: 326,25 Eur/pcs
- Outpatient cabinet P/L-530x435x1700-III Price: 545,00 Eur/pcs
- Pharmacy kit 1250x600x2000-III Price: 2737,75 Eur/pcs
- Rotary stool 350x350x450-530-III Price: 287,75 Eur/pcs

*When ordering, please specify the color of the painting according to the RAL color palette.  
The deadline to be agreed.*

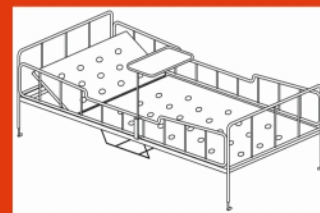
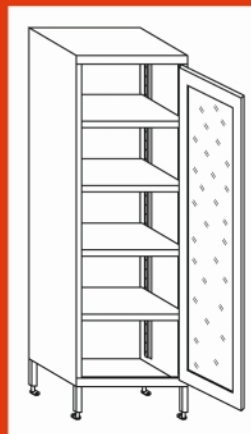
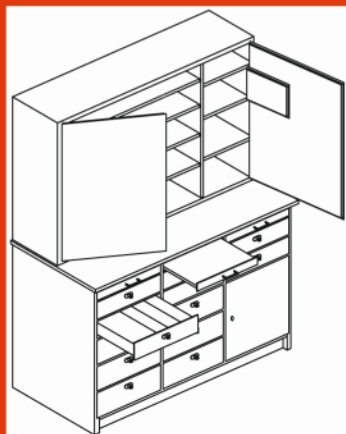
*Payment by bank transfer on the basis of a proforma invoice before starting production.*

*Terms of delivery EX Works Czarnków Incoterms 2010.*

*Price validity of the offer until 31.12.2020.*

*Please find attached drawings of the proposed furniture.*

*If you have any questions, please contact us.*



Marine Equipment Factory

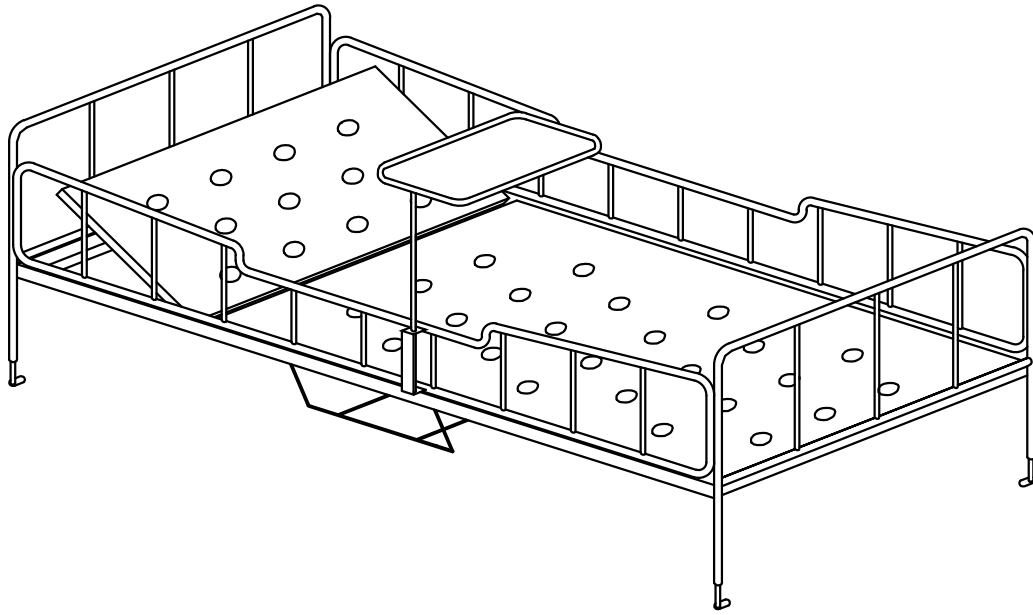
**MEBLOMOR S.A.**

Kosciuszki 75, 64-700 Czarnkow, Poland

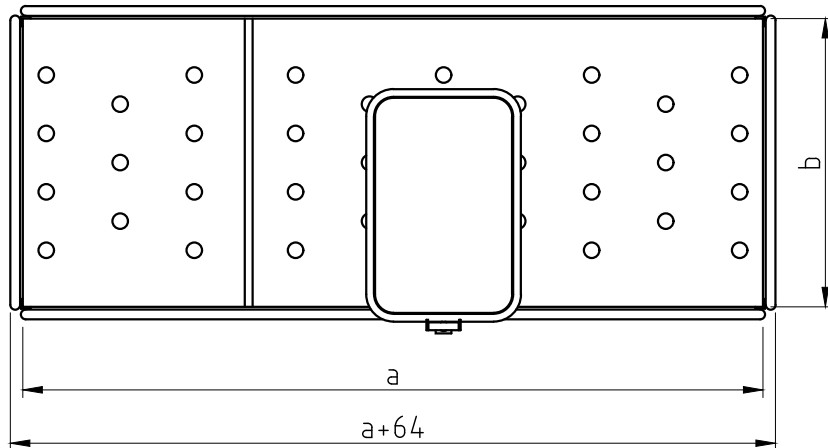
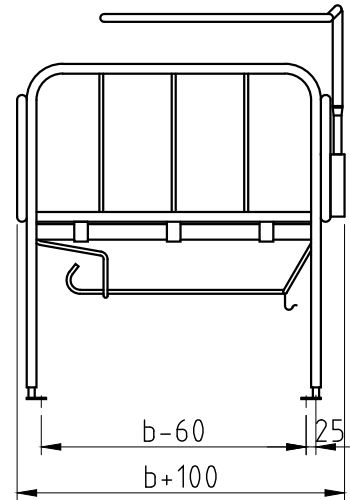
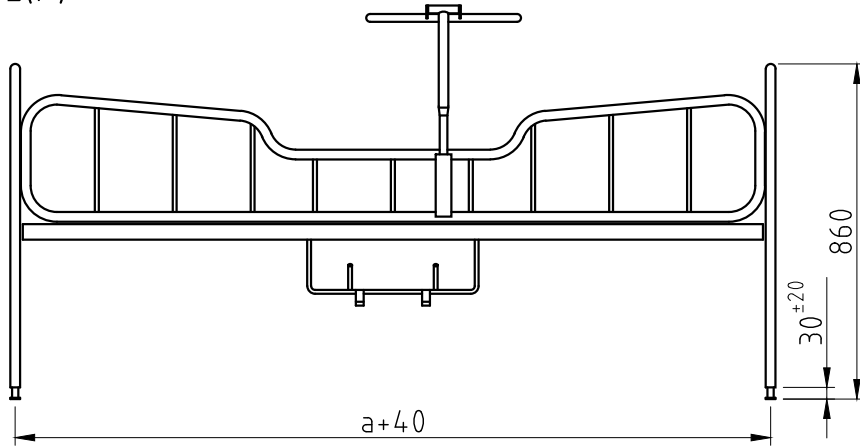
phone: +48 67 255 2851 int.224

email: info@meblomor.pl

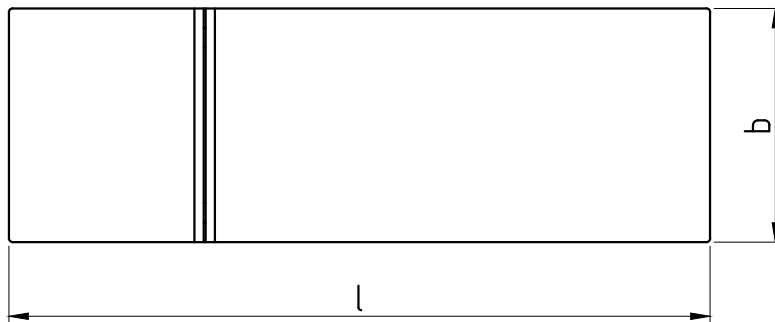
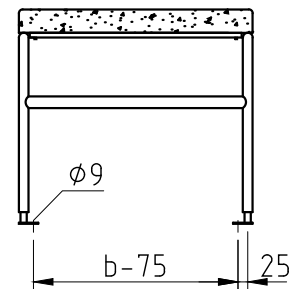
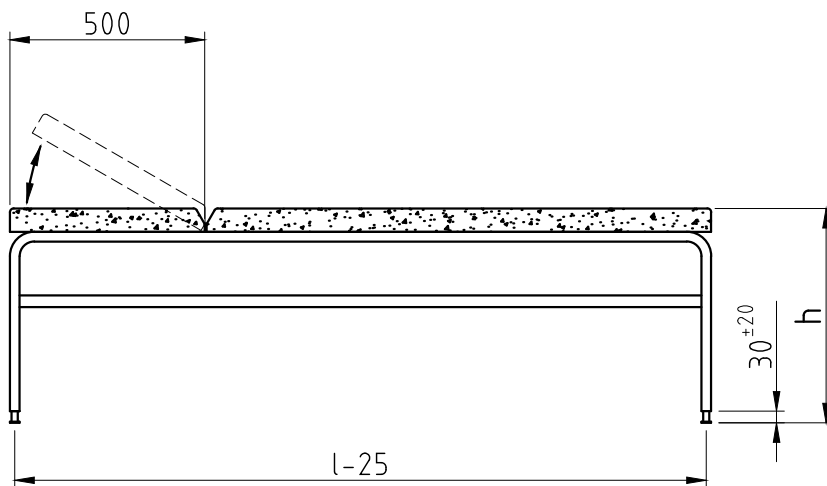
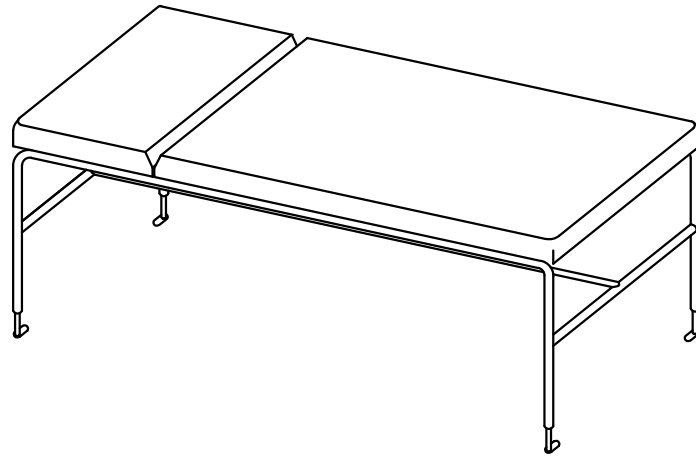
www.meblomor.pl



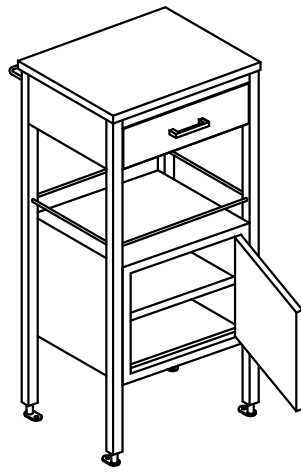
L(P)



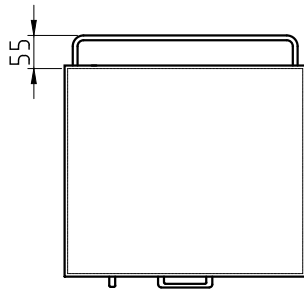
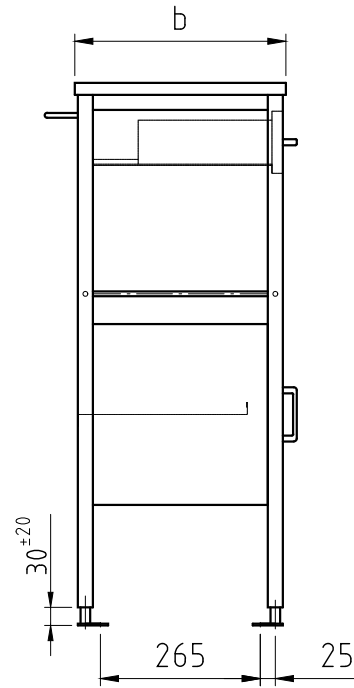
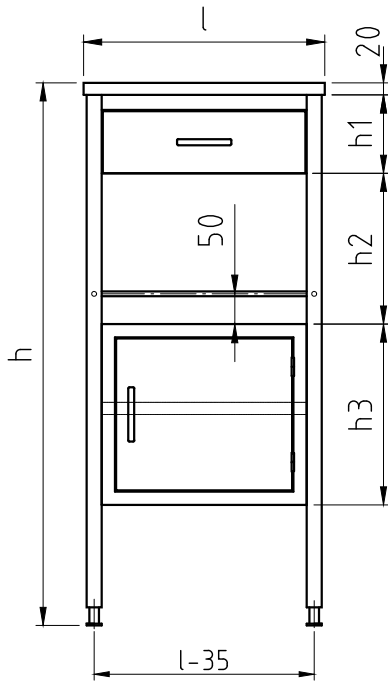
a (mm)	b (mm)	Masa (kg)
1900	740	58
	800	62
1980	920	67
	1000	73



l (mm)	b (mm)	h (mm)
1800	600	550
1900	800	650
1900	650	650



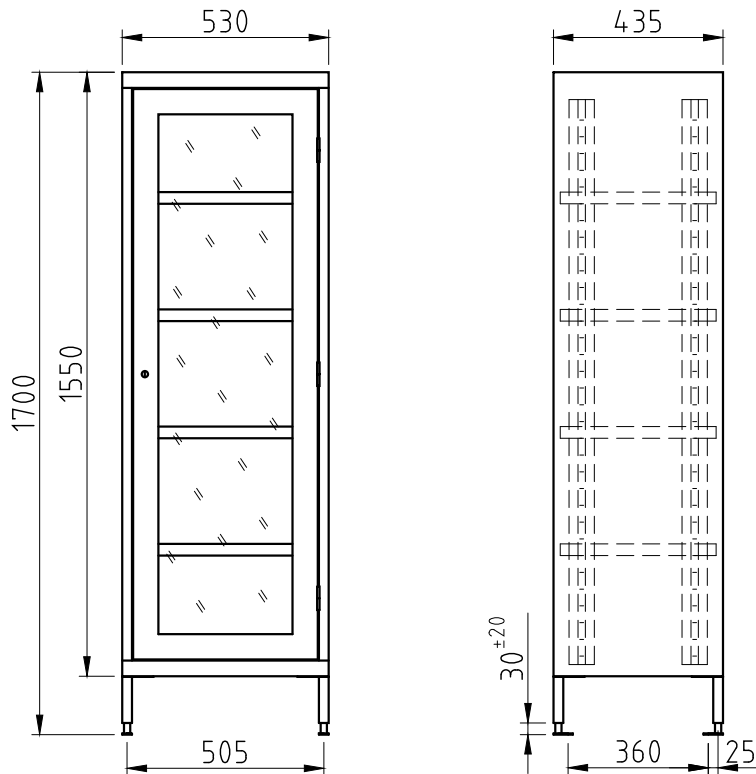
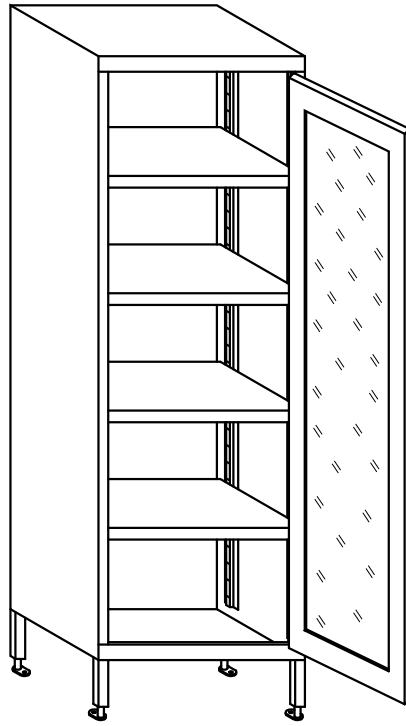
R(L)



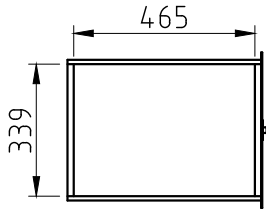
Type:

- 1 - doors and drawers locked by key
- 2 - doors closed by latch lock

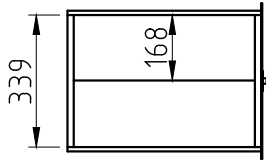
l	b	h	h1	h2	h3
400	350	900	130	250	300



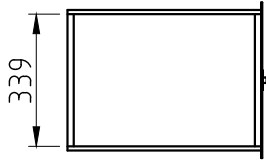
Adjustable shelves—regulation every 43mm



Type - 1  
Trough is 73mm high



Type - 2  
Trough is 73mm high



Type - 3  
Trough is 107mm high

