



A-0 CLASS SHIP HATCH

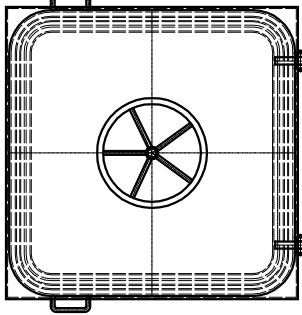
EDITION 02/2018

N19/34.11885

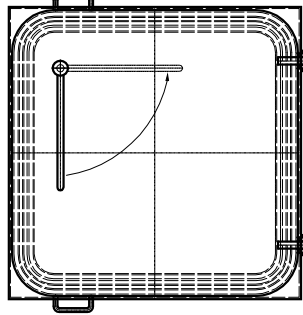
PAGE / PAGES 1 / 4

Hatch is designed to be mounted mainly on A-0 decks. Construction of the hatch provides its gastightness in every execution. Continuity of the deck's fire class structure (by insulating the frame) is provided by the shipyard.

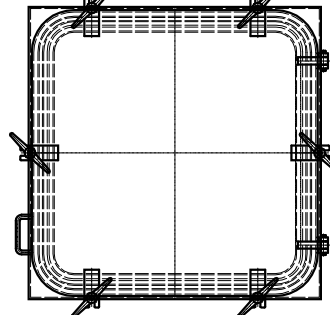
TYPE "WW"
(central locking with wheel)



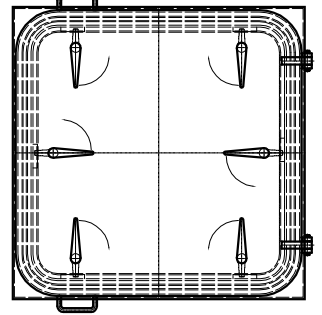
TYPE "HH"
(central locking with handle)



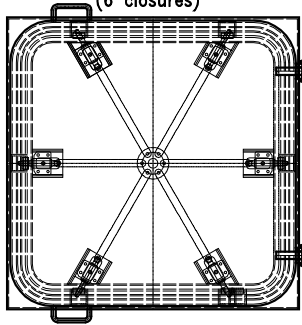
TYPE "PS"
(single closures with wing nuts)



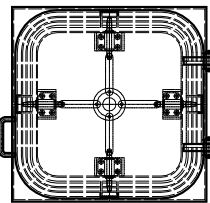
TYPE "PO"
(single closures with handles)



FOR "WW" AND "HH" TYPE
MODEL 1VI2
(6 closures)

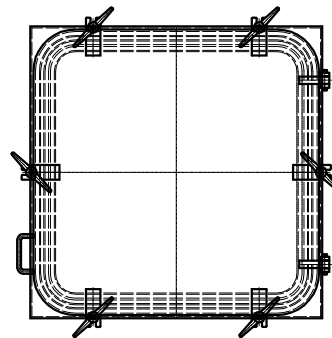


MODEL 1IV1
(4 closures)

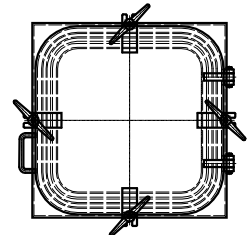


FOR "PS" TYPE

MODEL 1VI2
(6 closures)

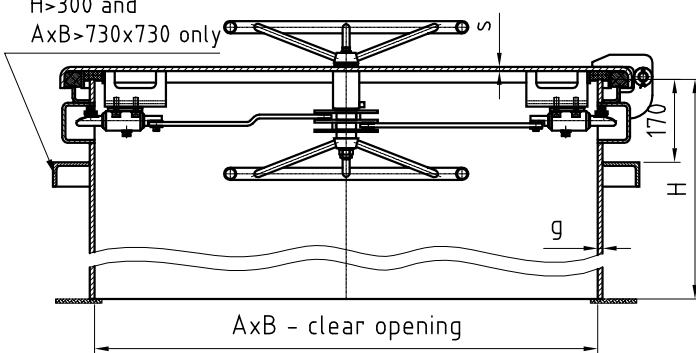


MODEL 1IV1
(4 closures)



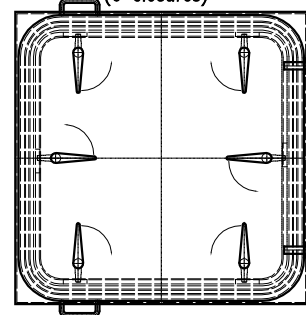
Stiffenings for
H>300 and
AxB>730x730 only

FOR "WW" TYPE

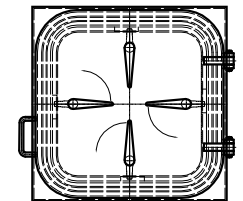


FOR "PO" TYPE

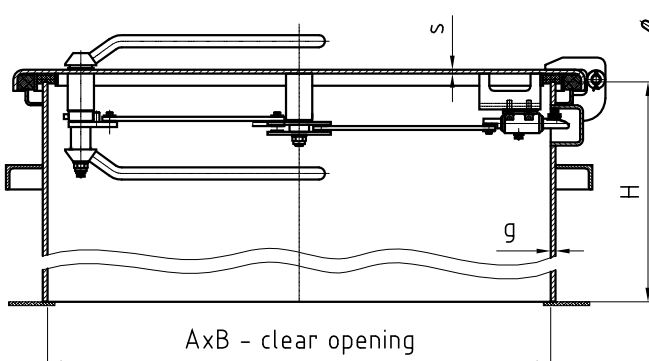
MODEL 1VI2
(6 closures)



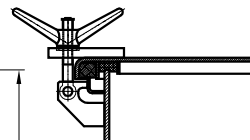
MODEL 1IV1
(4 closures)



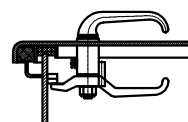
FOR "HH" TYPE



FOR "PS" TYPE



FOR "PO" TYPE



TYPICAL DIMENSION TABLE

A x B	Model
1030x1030	1VI2
930x930	1VI2
830x830	1VI2
730x730	1IV1
630x630	1IV1

**Technical characteristic:**

Wheel (handle), bolts of central locking, bolts of side closures and hinges are made of stainless steel (316/1.4571).

Types and marking:**1. Fireproof class:**

A0 - hatch A-0 class

2. Hatch type:

A - rectangular (hinges on the longer side)

B - rectangular (hinges on the shorter side)

C - square

3. Degree of protection:

WET - weathertight hatch

G - gastight hatch

WT - watertight hatch

4. Closing mechanism:

WW - central locking with wheel from both sides

HH - central locking with handle from both sides

PS - single closures with wing nuts

PO - single closures with wedges

5. Model:

1VI2 - hatch equipped with 6 side closures

1IV1 - hatch equipped with 4 side closures

6. Cover material:

S235 - hatch cover made of steel S235JR (S235ZN - hot galvanized version)

S355 - hatch cover made of steel S355J2+N (S355ZN - hot galvanized version)

1.4404 - hatch cover made of stainless steel 1.4404

1.4571 - hatch cover made of stainless steel 1.4571

7. Cover stiffening:

I - cover stiffened by flat bars

L - cover stiffened by angle bars

C - cover stiffened by U bars

8. Coaming discriminant:**8.1. Coaming material:**

S235 - coaming made of steel S235JR

S355 - coaming made of steel S355J2+N

1.4404 - coaming made of stainless steel 1.4404

1.4571 - coaming made of stainless steel 1.4571

8.2. Coaming profile:

P - flat bar

8.3. Coaming shape:

R100 - hatch coaming with corners of radius 100 mm

9. Dimensions - A x B x s (acc. to table)**10. Equipment:**

UD - shockproof execution

Iz40, Iz50 - insulated hatch cover

Z0 - eye for padlock from outside

Z0W - eye for padlock from inside

GS - steel gas spring as a support in opening

2GS - two steel gas springs as a support in opening

GSN - stainless steel gas spring as a support in opening

2GSN - two stainless steel gas springs as a support in opening

BZ - external blocking device for keeping the hatch in open position

BW - internal blocking device for keeping the hatch in open position

BW1 - internal foldable blocking device for keeping the hatch in open position

W1 - inductive sensor (SIEMENS 3RG40 13-0AG31)

E - nameplate (in english) with "TO BE KEPT CLOSED AT SEA" writing (other languages on request)

11. Finishing:

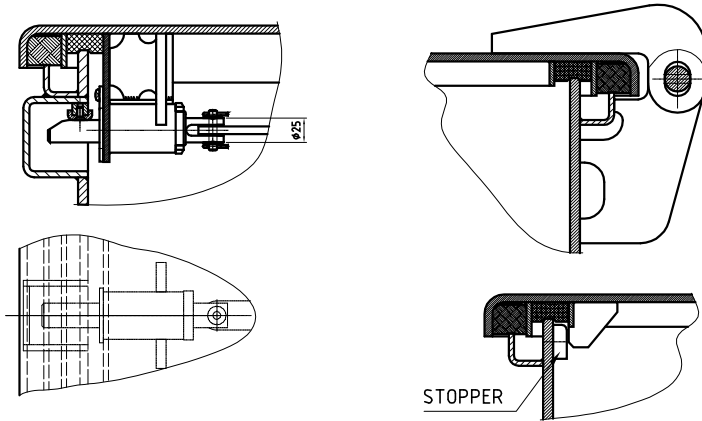
Hatch painted with undercoat paint or acc. to arrangements with the client.



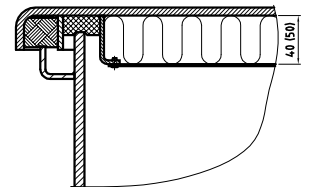
EQUIPMENT VERSIONS

"UD"

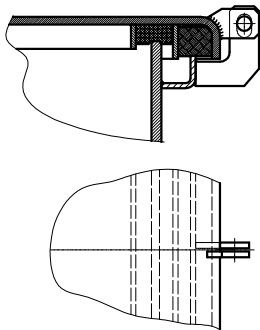
(strengthened closures, hinges and shockproof stoppers applied)



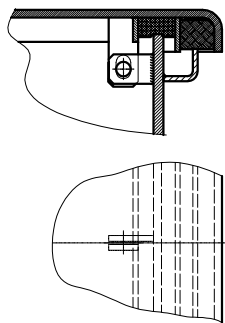
"lz40", "lz50"



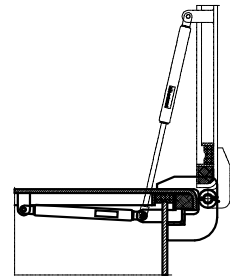
"Z0"



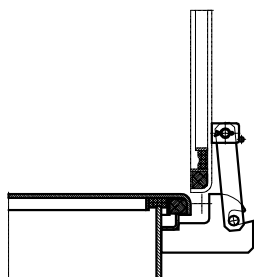
"Z0W"



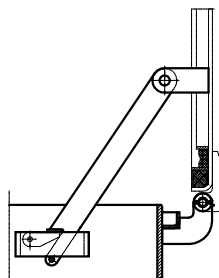
"GS", "2GS", "GSN", "2GSN"



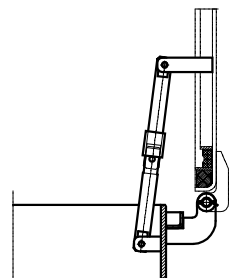
"BZ"



"BW"



"BW1"





A-0 CLASS SHIP HATCH

EDITION 02/2018

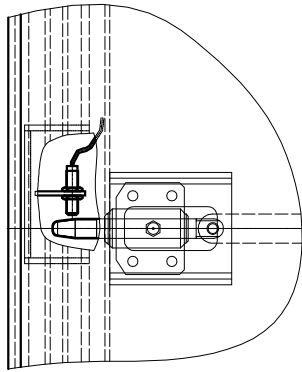
N19/34.11885

PAGE / PAGES

4 / 4

"W1"

"E"
(outside only)



Marking sample " A-0 class ship's hatch acc. N19/34.11885 "

AO	C	WET	WW	1VI2	S355	I	S355P	R100
Fire class	Hatch type	Degree of protection	Locking mechanism	Model	Cover material	Cover stiffening	Coaming material	Coaming shape
830x830x8	Hxg	UD-.....-E	M38					
Dimension	Coaming's discriminant	Equipment	Finishing					